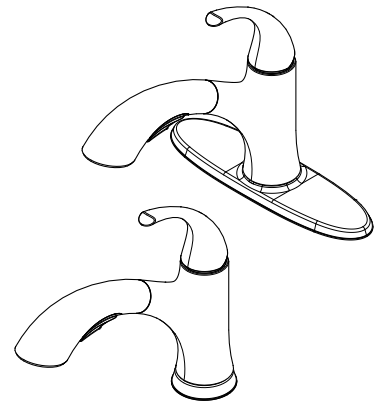


- F-534-7WRYB Finish(B)
- F-534-7WRYC Finish(C)
- F-534-7WRYGS Finish(GS)



Specifications

Features

- 1.8 GPM Flow Rate
- 2 Function Pullout Sprayer (Spray & Stream)
- 55" Braided Nylon Hose
- 28" Pull-Out Hose Length
- AccuDock™ Sprayhead Docking
- Spot Defense™ Finish Resists Spots and Fingerprints (GS Only)
- Easy to Clean Nozzles
- Pfast Connect™
- PERT Supply Lines
- Optional Deckplate
- TiteSeal™ Deckplate
- Quick Install Tool
- Pforever Seal™ Ceramic Disc Valve
- Limited Lifetime Warranty



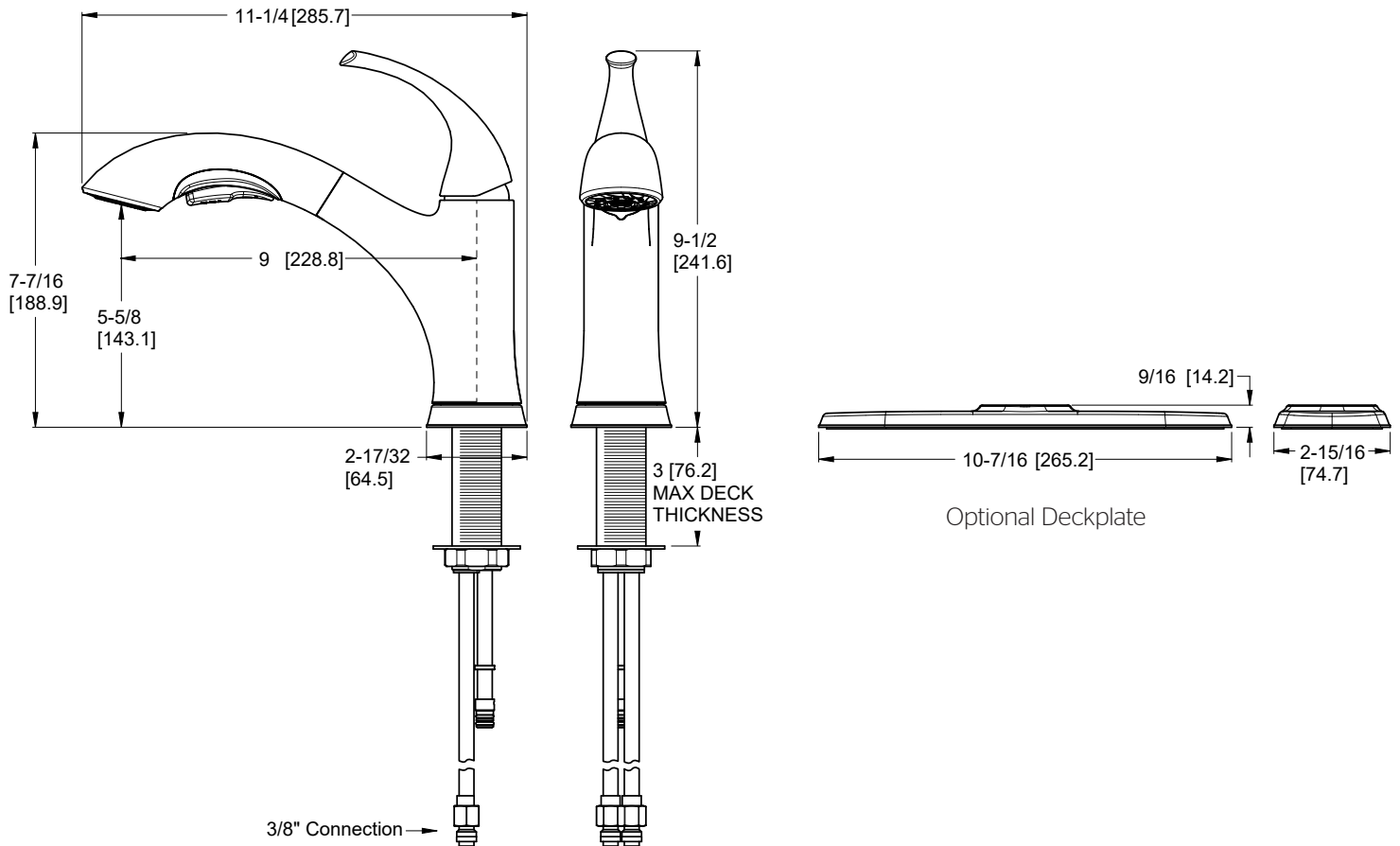
Code Compliance

Pfister products are designed and manufactured in compliance with the following standards and codes:

- IAPMO Certified to ASME A112.18.1/CSA B125.1 including:
 - ASME A112.18.3 (Backflow Prevention)
- NSF/ANSI/CAN61:Q≤1
- CEC Certified/CALGreen compliant
- ADA Compliant - ANSI A117.1 (Lever Handle Only)



Dimensions



Ø1-3/8 Min to Ø1-1/2 Max. Deck Hole Openings