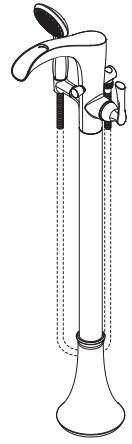


## Rhen Tub Filler

- LG6-1RH1C Finish(C)
- LG6-1RH1K Finish(K)
- LG6-1RH1B Finish(B)
- LG6-1RH1BG Finish(BG)



### Specifications

- All Metal Construction
- Trim Only, Valve Not Included

### Features

- 8 GPM @ 45 PSI Flow Rate
- 1.8 GPM Flow Rate (Handheld)
- 60" Metal Hose
- All Metal Construction
- Ceramic Disc Valve
- Easy to Clean Nozzles
- Forward Handle Operation
- Trough Spout
- Optional Concrete Mounting Bracket 931-145 Available (Sold Separately)
- Requires OX6-27OR Valve (Sold Separately)
- Volume and Temperature Control
- Limited Lifetime Warranty

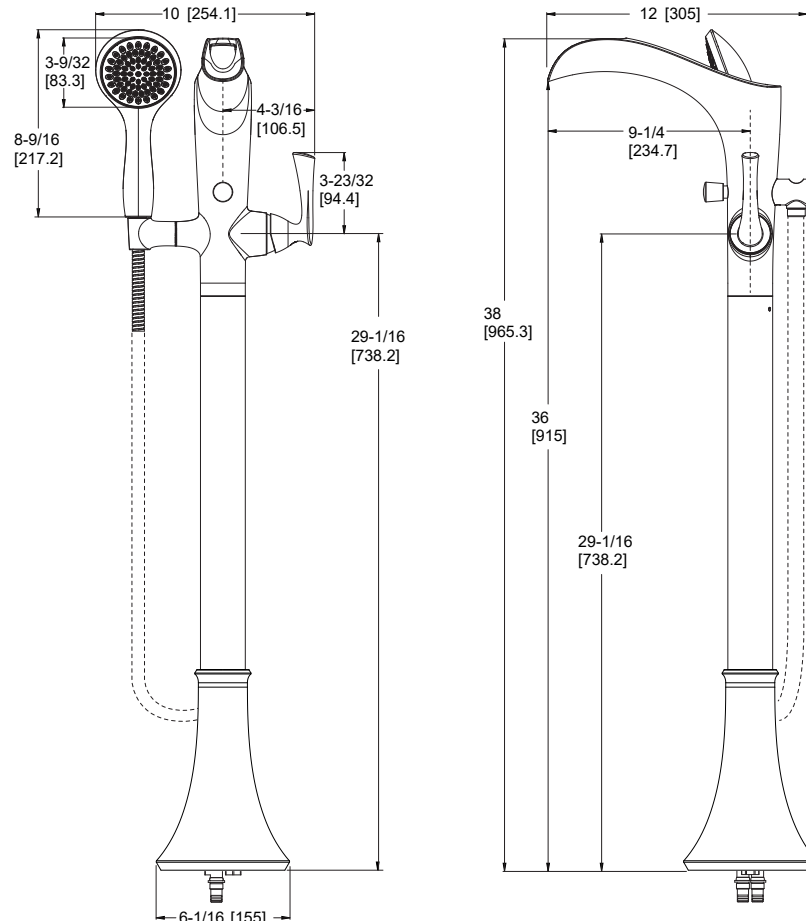
### Code Compliance

Pfister products are designed and manufactured in compliance with the following standards and codes:

- IAPMO Certified to ASME A112.18.1/CSA B125.1 including:
  - ASME A112.18.3 (Backflow Prevention)
- NSF 61/9 AnnexG Certified
- sCEC Certified/CALGreen compliant
- ADA Compliant - ANSI A117.1 (Lever Handles Only)



### Dimensions



Ø3-3/8Max. Deck Hole Openings