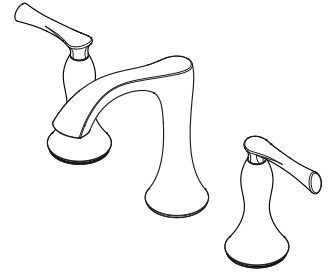


### 8"-15" Widespread Lavatory Faucet

- LG49-RH3B Finish(B)
- LG49-RH3BG Finish(BG)
- LG49-RH3C Finish(C)
- LG49-RH3K Finish(K)



## Specifications

### Features

- 1.2 GPM Flow Rate
- 1/4 Turn Brass Cartridge
- Includes All Metal Push & Seal™
- Pforever Seal Ceramic Disc Valves
- Pforever Warranty®

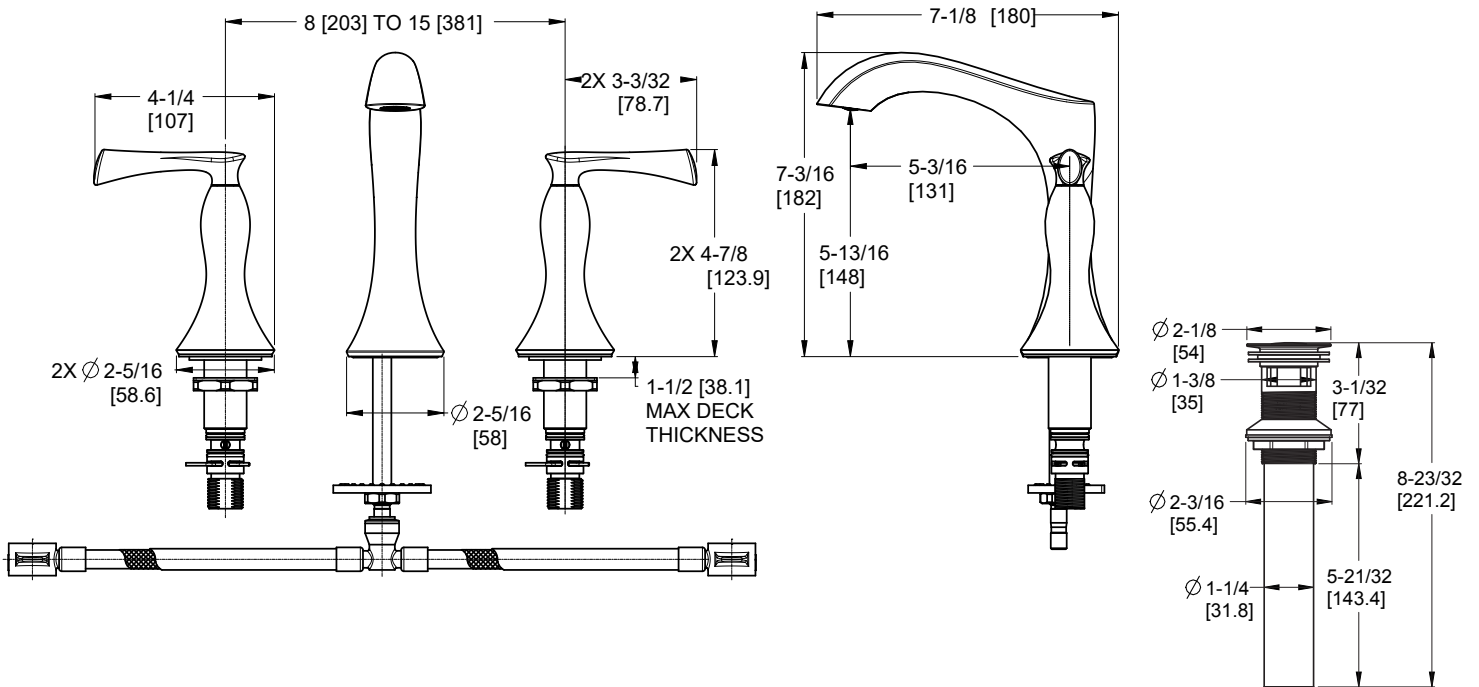
### Code Compliance

Pfister products are designed and manufactured in compliance with the following standards and codes:

- IAPMO Certified to ASME A112.18.1/CSA B125.1
- NSF/ANSI/CAN61:Q≤1
- EPA WaterSense Certified
- CEC Certified/CALGreen compliant
- ADA Compliant - ANSI A117.1 (Lever Handles Only)



## Dimensions



Metal Push & Seal™

Ø1-1/4 Min to Ø1-1/2 Max. Deck Hole Openings