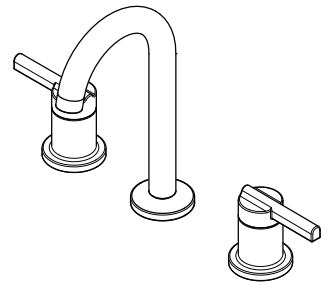


- LG49-BIOB Finish(B)
- LG49-BIOC Finish(C)
- LG49-BIOK Finish(K)



Specifications

Features

- 1.2 GPM Flow Rate
- Fixed Hubs
- Mounting Hardware Included
- Supply Lines Not Included
- Push & Seal™ Pop-Up Drain
- Pforever Seal™ Ceramic Disc Valves
- Pforever Warranty®

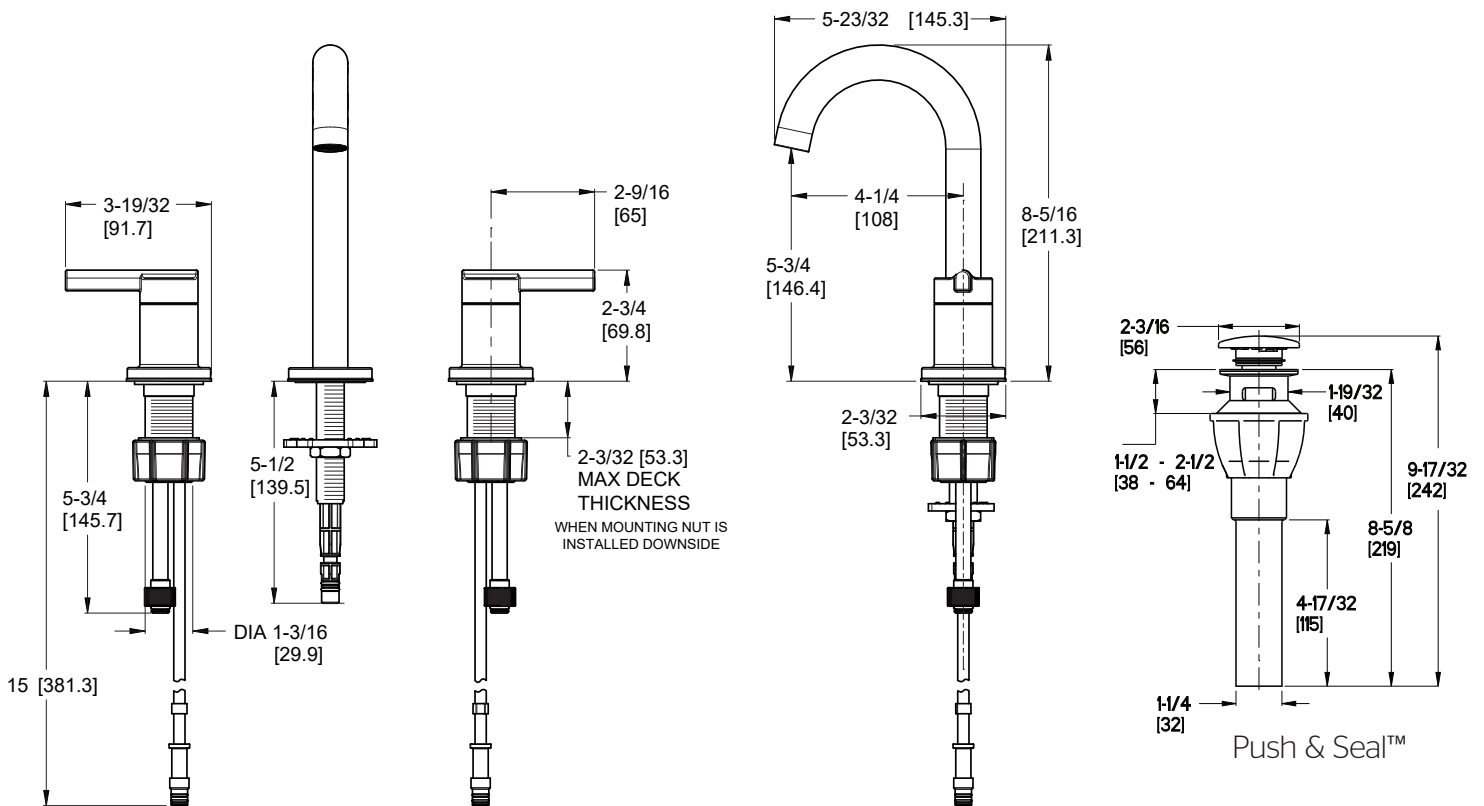
Code Compliance

Pfister products are designed and manufactured in compliance with the following standards and codes:

- IAPMO Certified to ASME A112.18.1/CSA B125.1
- NSF 61/9 AnnexG Certified
- EPA WaterSense Certified
- CEC Certified/CALGreen compliant
- ADA Compliant - ANSI A117.1 (Lever Handles Only)



Dimensions



Ø1-1/4 Min to Ø1-1/2 Max. Deck Hole Openings