

- | | | | |
|--|--|--|---|
| R89-1TNTC Finish(C) <input type="checkbox"/> | R89-1TNTB Finish(B) <input type="checkbox"/> | LG89-7RHC Finish(C) <input type="checkbox"/> | LG89-8TNTC Finish(C) <input type="checkbox"/> |
| R89-1TNTK Finish(K) <input type="checkbox"/> | R89-1TNTBG Finish(BG) <input type="checkbox"/> | LG89-7RHK Finish(K) <input type="checkbox"/> | LG89-8TNTK Finish(K) <input type="checkbox"/> |
| | | LG89-7RHB Finish(B) <input type="checkbox"/> | LG89-8TNTB Finish(B) <input type="checkbox"/> |
| | | LG89-7RHBG Finish(BG) <input type="checkbox"/> | LG89-8TNTBG Finish(BG) <input type="checkbox"/> |

Specifications

- SecurePfit™
- Trim Only, Valve Not Included

Features

- 1.8 GPM Flow Rate (Showerhead)
- All Metal Construction
- All Brass Raincan Showerhead (8TNT Only)
- Brass Ball Joint (8TNT Only)
- SecurePfit™ with Anti-Handle Wobble
- Trim Only, Valve Not Included
- Easy to Clean Nozzles (8TNT Only)
- IP Threaded Diverted Sout (8TNT Only)
- Fits OX8 Valve Bodies
- Flange Only (1TNT Only)
- Shower Only (7TNT Only)
- Tub & Shower (8TNT Only)
- Pforever Warranty®

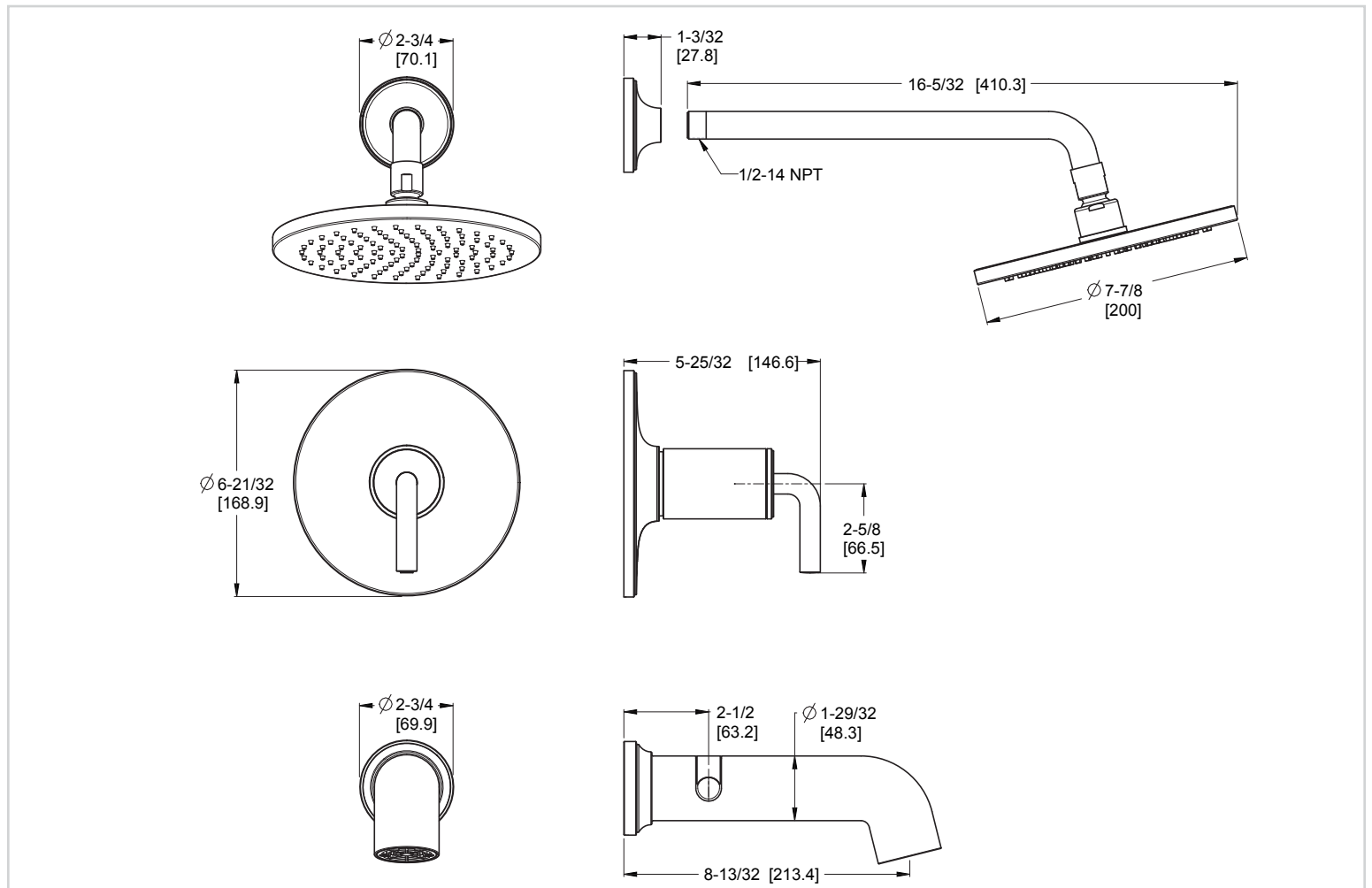
Code Compliance

Pfister products are designed and manufactured in compliance with the following standards and codes:

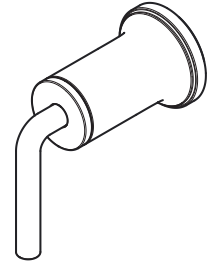
- IAPMO Certified
- CSA B125 Certified
- ASME A112.18.1
- CEC Compliant
- Cal Green Compliant
- EPA WaterSense Certification 1.8 gpm, 6.8 L/Min
- ADA Compliant-ANSI A117.1 (Lever handles only)



Dimensions



- 016-TNT1C Finish(C)
- 016-TNT1K Finish(K)
- 016-TNT1B Finish(B)
- 016-TNT1BG Finish(BG)



Specifications

Features

- 015-2WDX or 015-4WDX Valve Required, Order Separately
- All Metal Construction
- Optional Crosshandle Available, Order HHL-016-TNT* Separately
- SecurePfit™ with Anti-Handle Wobble
- Pforever Warranty®

- Valve Not Included

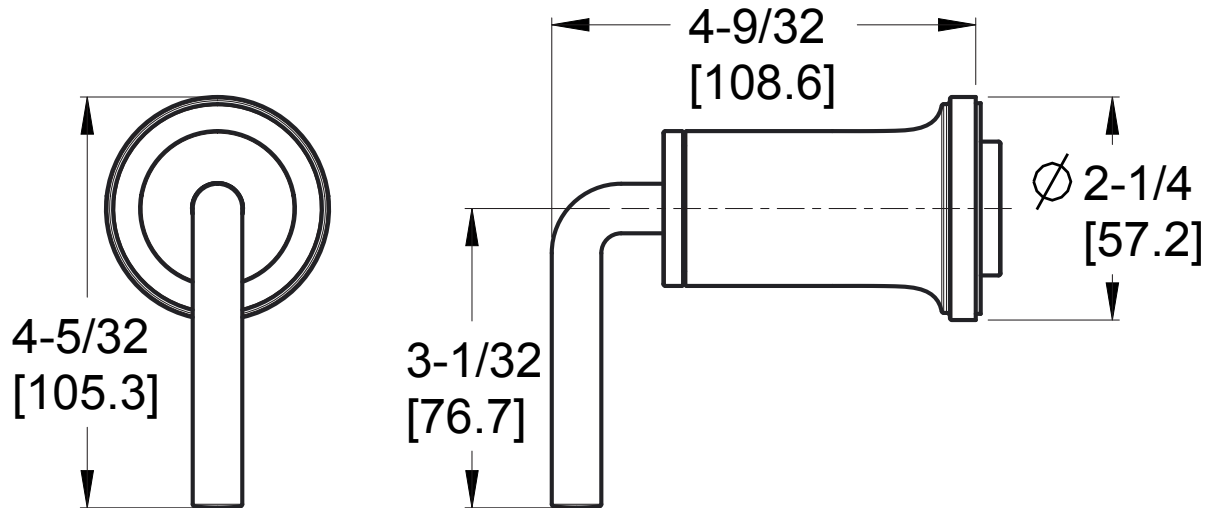
Code Compliance

Pfister products are designed and manufactured in compliance with the following standards and codes:

- IAPMO Certified
- CSA B125 Certified
- ASME A112.18.1
- ADA Compliant-ANSI A117.1 (Lever handles only)

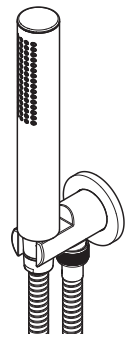


Dimensions



Contempra™ Handheld Shower Assembly

- LG16-2NCB Finish(B)
- LG16-2NCBG Finish(BG)
- LG16-2NCC Finish(C)
- LG16-2NCK Finish(K)



Specifications

Features

- 1.8 GPM Flow Rate
- 60" Metal Hose
- All Metal Construction
- Easy to Clean Nozzles
- Mounting Hardware Included
- Valve Not Included
- Pforever Warranty®

Code Compliance

Pfister products are designed and manufactured in compliance with the following standards and codes:

- IAPMO Certified
- CSA B125 Certified
- ASME A112.18.1
- Cal Green Compliant
- CEC Compliant
- ADA Compliant-ANSI A117.1 (Lever handles only)
- EPA WaterSense Certification 1.8 gpm, 6.8 L/Min
- ASME A112.18.3 (Backflow Prevention)



Dimensions

