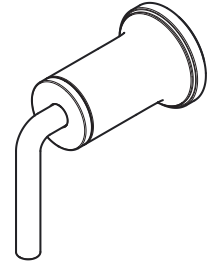


- 016-TNT1C Finish(C)
- 016-TNT1K Finish(K)
- 016-TNT1B Finish(B)
- 016-TNT1BG Finish(BG)



## Specifications

### Features

- 015-2WDX or 015-4WDX Valve Required, Order Separately
- All Metal Construction
- Optional Crosshandle Available, Order HHL-016-TNT\* Separately
- SecurePfit™ with Anti-Handle Wobble
- Pforever Warranty®

- Valve Not Included

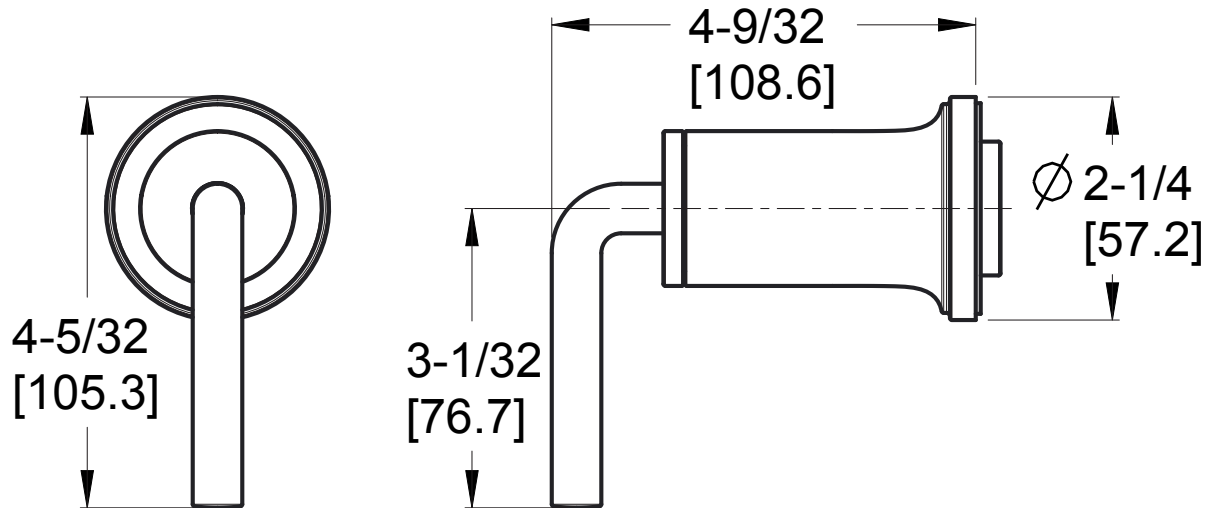
### Code Compliance

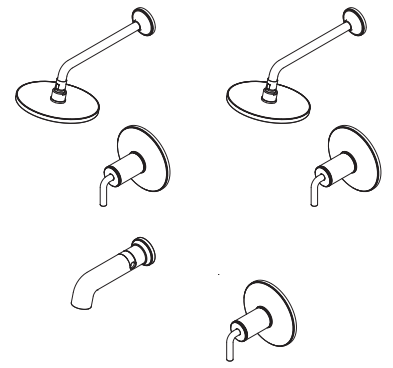
Pfister products are designed and manufactured in compliance with the following standards and codes:

- IAPMO Certified
- CSA B125 Certified
- ASME A112.18.1
- ADA Compliant-ANSI A117.1 (Lever handles only)



## Dimensions





- |  |  |  |   |
|--|--|--|---|
| R89-1TNTC Finish(C) <input type="checkbox"/> | R89-1TNTB Finish(B) <input type="checkbox"/>   | LG89-7RHC Finish(C) <input type="checkbox"/>   | LG89-8TNTC Finish(C) <input type="checkbox"/>   |
| R89-1TNTK Finish(K) <input type="checkbox"/> | R89-1TNTBG Finish(BG) <input type="checkbox"/> | LG89-7RHK Finish(K) <input type="checkbox"/>   | LG89-8TNTK Finish(K) <input type="checkbox"/>   |
|  |  | LG89-7RHB Finish(B) <input type="checkbox"/>   | LG89-8TNTB Finish(B) <input type="checkbox"/>   |
|  |  | LG89-7RHBG Finish(BG) <input type="checkbox"/> | LG89-8TNTBG Finish(BG) <input type="checkbox"/> |

### Specifications

- SecurePfit™
- Trim Only, Valve Not Included

### Features

- 1.8 GPM Flow Rate (Showerhead)
- All Metal Construction
- All Brass Raincan Showerhead (8TNT Only)
- Brass Ball Joint (8TNT Only)
- SecurePfit™ with Anti-Handle Wobble
- Trim Only, Valve Not Included
- Easy to Clean Nozzles (8TNT Only)
- IP Threaded Diverted Sout (8TNT Only)
- Fits OX8 Valve Bodies
- Flange Only (1TNT Only)
- Shower Only (7TNT Only)
- Tub & Shower (8TNT Only)
- Pforever Warranty®

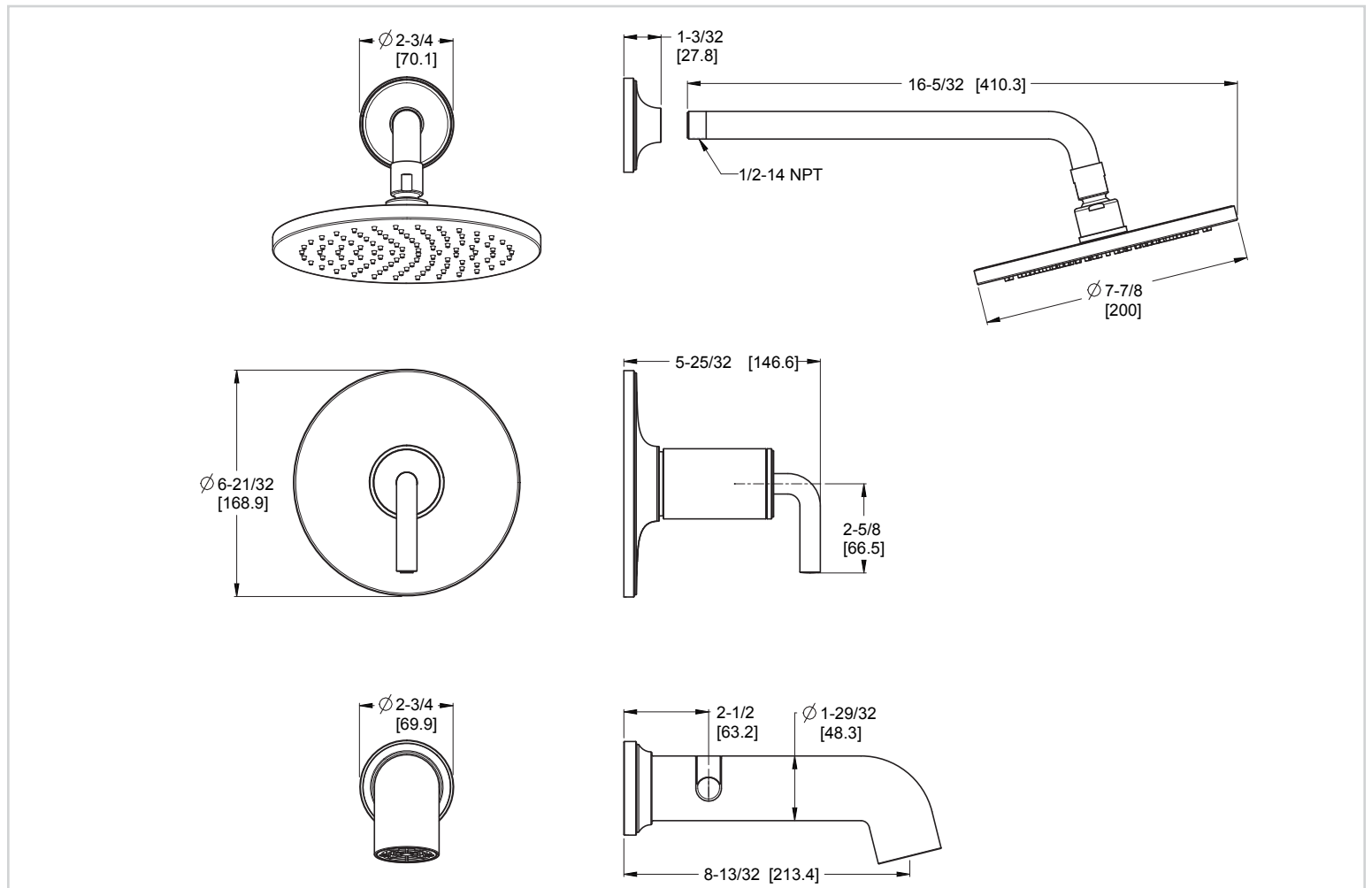
### Code Compliance

Pfister products are designed and manufactured in compliance with the following standards and codes:

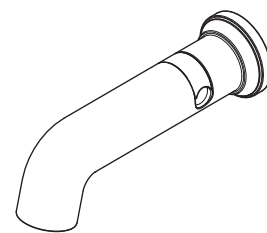
- IAPMO Certified
- CSA B125 Certified
- ASME A112.18.1
- CEC Compliant
- Cal Green Compliant
- EPA WaterSense Certification 1.8 gpm, 6.8 L/Min
- ADA Compliant-ANSI A117.1 (Lever handles only)



### Dimensions



- 920-219A Finish(A)
- 920-219J Finish(J)
- 920-219B Finish(B)
- 920-219BG Finish(BG)



## Specifications

### Features

- Premium Metal Construction
- 1/2" IP Thread Only
- Pforever Warranty®

### Code Compliance

Pfister products are designed and manufactured in compliance with the following standards and codes:

- ASME A112.18.1

## Dimensions

