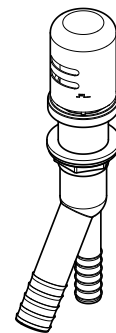


Kitchen Air Gap

- | | |
|---|---|
| 941-685BG Finish(BG) <input type="checkbox"/> | 941-685J Finish(J) <input type="checkbox"/> |
| 941-685A Finish(A) <input type="checkbox"/> | 941-685S Finish(S) <input type="checkbox"/> |
| 941-685D Finish(D) <input type="checkbox"/> | 941-685Y Finish(Y) <input type="checkbox"/> |



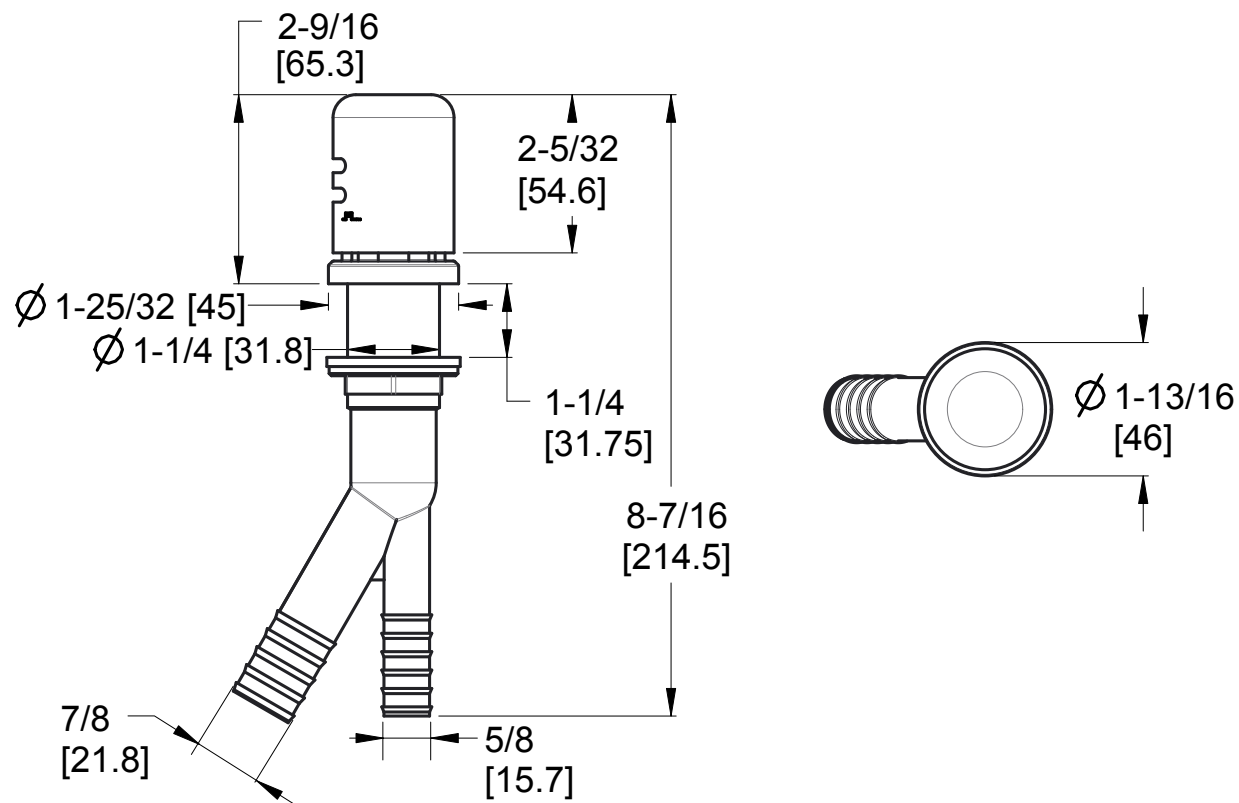
Specifications

- Metal Cap

Features

- Metal Cap
- Includes Mounting Hardware
- Pforever Warranty®

Dimensions



Ø1-1/4 Min to Ø1-1/2 Max. Deck Hole Openings