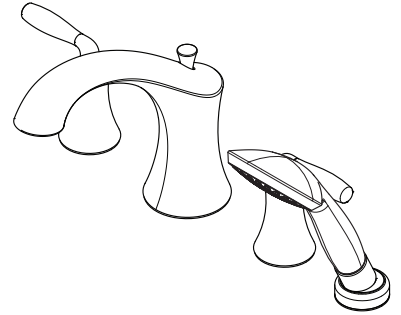


Iyla™ Roman Tub Trim

- LG6-4TRC Finish(C)
- LG6-4TRD Finish(D)
- LG6-4TRK Finish(K)
- LG6-4TRY Finish(Y)



Specifications

- Trim Only, Valve Not Included

Features

- 1.8 GPM Flow Rate (Handheld)
- 4-Hole Installation
- Fixed Hubs
- Requires OX6-440R Rough-In
- Pforever Warranty®

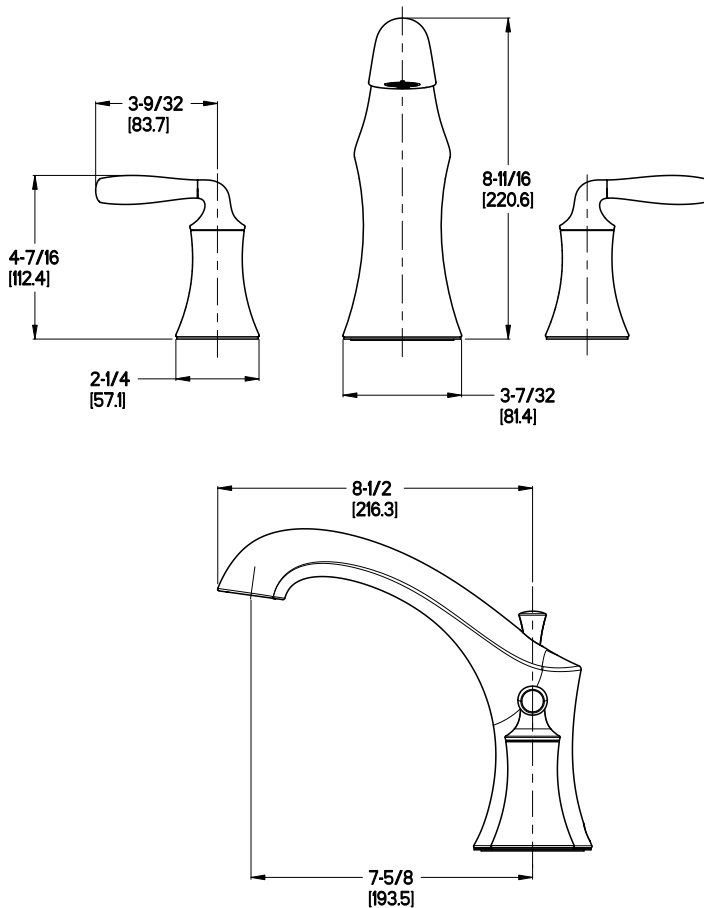
Code Compliance

Pfister products are designed and manufactured in compliance with the following standards and codes:

- IAPMO Certified
- CSA B125 Certified
- ASME A112.18.1
- Cal Green Compliant
- CEC Compliant
- ADA Compliant-ANSI A117.1 (Lever handles only)
- ASME A112.18.3 (Backflow Prevention)



Dimensions



Ø1 Min to Ø1-1/2 Max. Deck Hole Openings

