

Metal Grid Strainer



- 972-103A Finish(A)
- 972-103B Finish(B)
- 972-103D Finish(D)
- 972-103J Finish(J)
- 972-103U Finish(U)
- 972-103Y Finish(Y)
- 972-103BG Finish(BG)

Specifications

Features

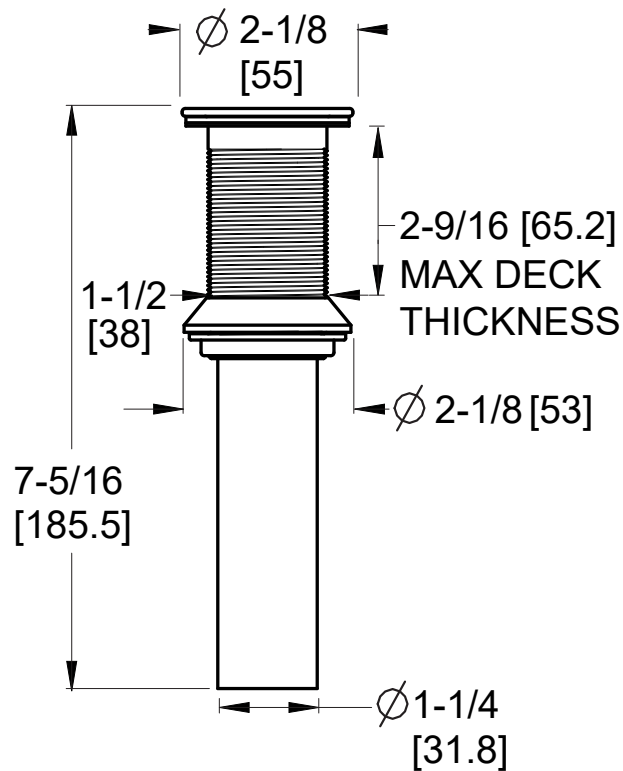
- Solid Brass Construction
- No Overflow
- Pforever Warranty®

Code Compliance

Pfister products are designed and manufactured in compliance with the following standards and codes:

- ASME A112.18.2

Dimensions



$\varnothing 1\text{-}9/16$ Min Deck Hole Opening