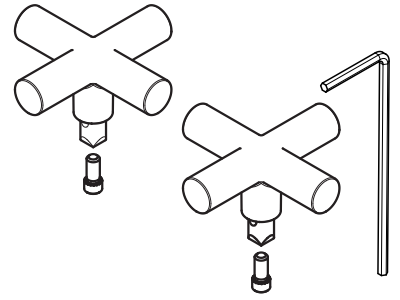


- HHL-049-TNTC Finish(C)
- HHL-049-TNTK Finish(K)
- HHL-049-TNTB Finish(B)
- HHL-049-TNTBG Finish(BG)



## Specifications

### Features

- All Metal Construction
- Cross Handles for Tenet Widespread, LG49-TNTx and Tenet Wallmount, LG49-TNT2x
- Pforever Warranty®

### Code Compliance

Pfister products are designed and manufactured in compliance with the following standards and codes:

- ASME A112.18.1
- ADA Compliant-ANSI A117.1 (Lever handles only)



## Dimensions

