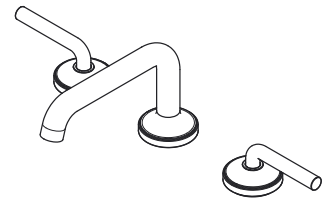


8"-15" Widespread Lavatory Faucet



- LG49-TNTC Finish(C)
- LG49-TNTD Finish(D)
- LG49TNTK Finish(K)
- LG49-TNTB Finish(B)
- LG49-TNTBG Finish(BG)

Specifications

- All Metal Construction
- Pforever Seal

Features

- 1.2 GPM Flow Rate
- 1/4 Turn Brass Cartridges
- 3-Hole Installation
- All Metal Construction
- Includes All Metal Push & Seal™
- Quick Connect Hose Assembly
- Laminar Flow
- Optional Crosshandle Available, Order HHL-049-TNT* Separately
- Limited Lifetime Warranty

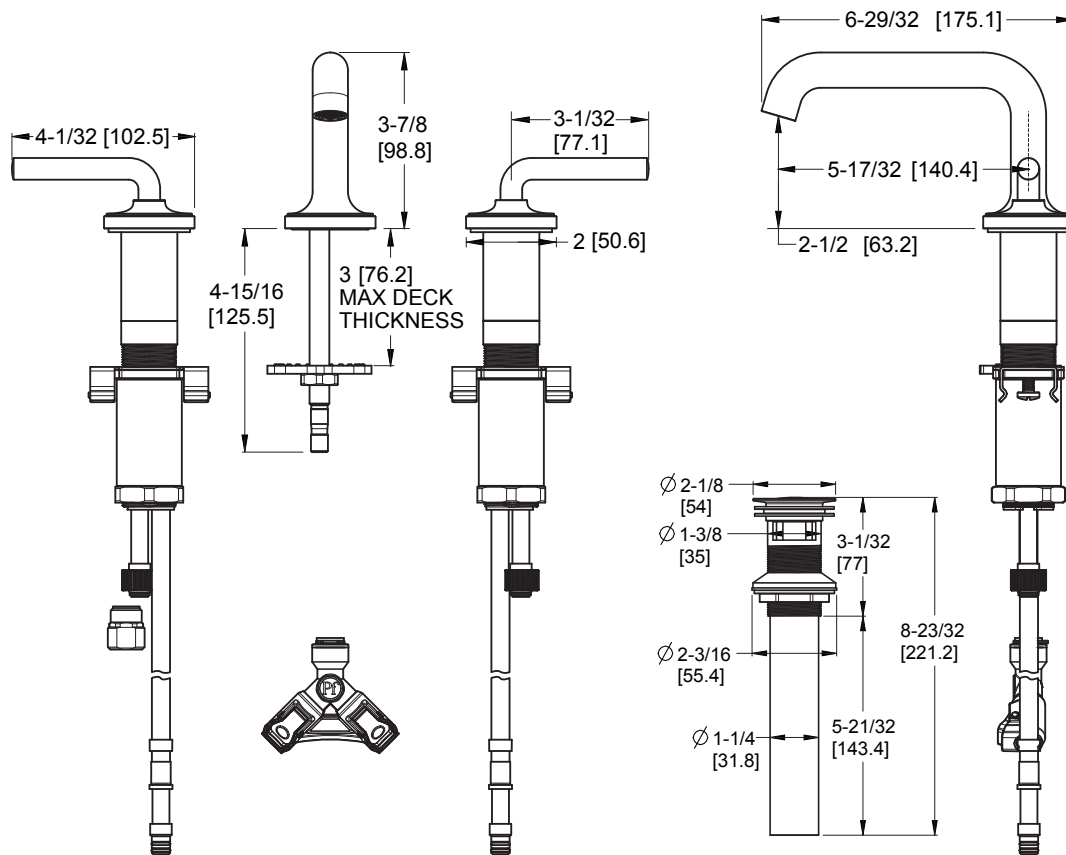
Code Compliance

Pfister products are designed and manufactured in compliance with the following standards and codes:

- IAPMO Certified to ASME A112.18.1/CSA B125.1
- NSF/ANSI/CAN61:Q≤1
- CEC Certified/CALGreen compliant
- EPA WaterSense Certified
- ADA Compliant - ANSI A117.1 (Lever Handles Only)



Dimensions



Ø1-1/4 Min to Ø1-1/2 Max. Deck Hole Openings

Push & Seal™