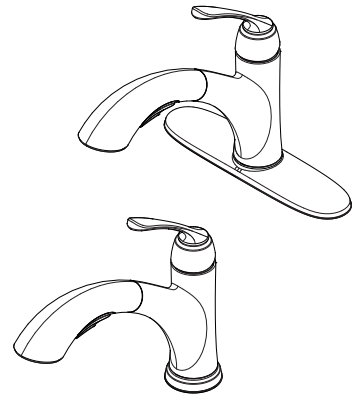


Cantara™ Pull-Out Kitchen Faucet

- F534-7CRC Finish(C)
- F534-7CRS Finish(S)
- F534-7CRY Finish(Y)



- 1, 2, or 3-Hole Installation
- TiteSeal™ Deck Plate
- AccuDock Spray Head Docking
- Pforever Seal

Specifications

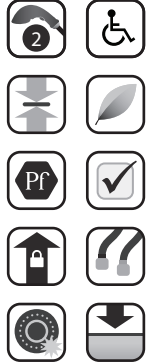
Features

- 1.8 GPM Flow Rate
- 1, 2, or 3-Hole Installation; Deck Plate or Single Hole Mounting Option
- 2 Function Pullout Sprayer
- AccuDock Spray Head Docking
- EZ Clean™
- Flex-Line Supply Lines
- Optional Deckplate
- Pfaster Connect
- Quick Install Tool
- TiteSeal™ Deck Plate
- Pforever Seal Ceramic Disc Valve
- Pforever Warranty®

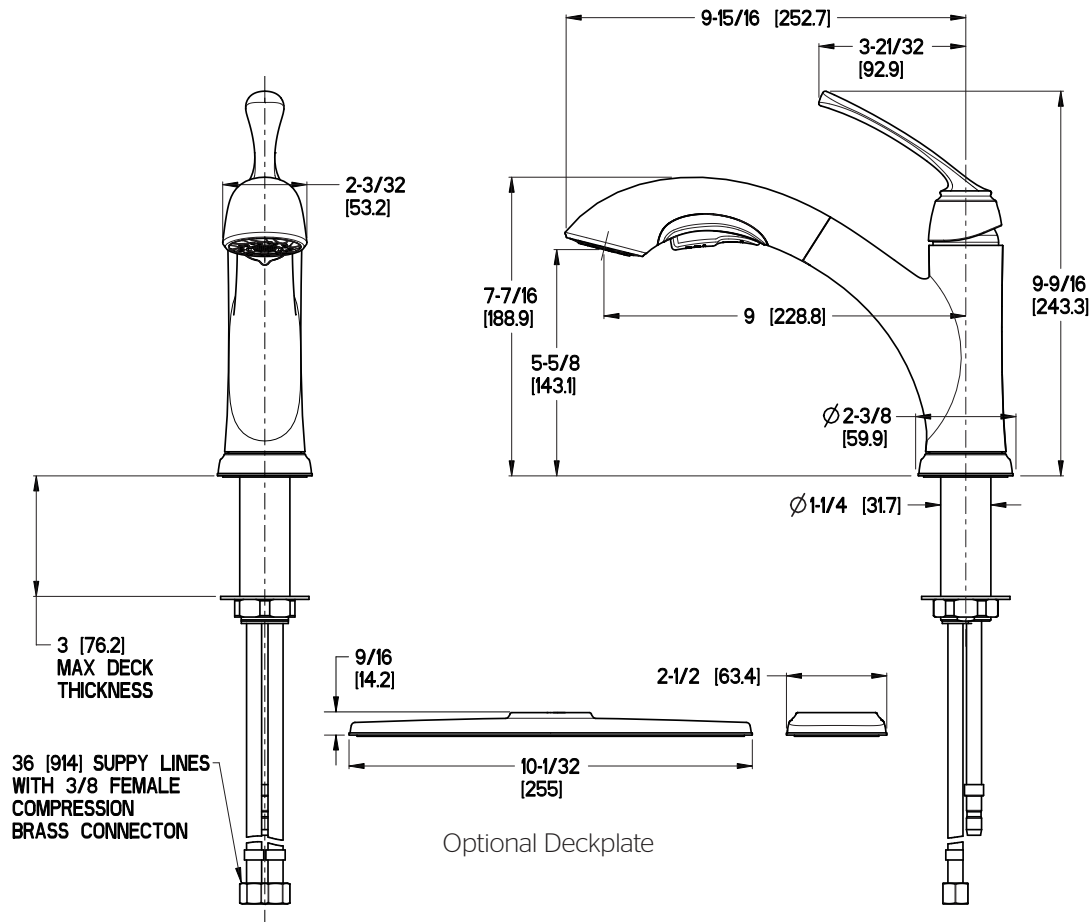
Code Compliance

Pfister products are designed and manufactured in compliance with the following standards and codes:

- IAPMO Certified
- CSA B125 Certified
- ASME A112.18.1
- NSF 61/9 Annex G (Low lead)
- Cal Green Compliant
- ADA Compliant-ANSI A117.1 (Lever handles only)



Dimensions



Ø1-3/8 Min to Ø1-1/2 Max. Deck Hole Openings