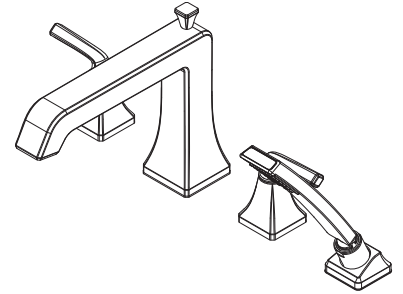


- LG6-4FEBG Finish(BG)
- LG6-4FEC Finish(C)
- LG6-4FED Finish(D)
- LG6-4FEK Finish(K)
- LG6-4FEY Finish(Y)



## Specifications

- 4-Hole Installation
- Trim Only, Valve Not Included

### Features

- 1.8 GPM Flow Rate (Handheld)
- Coordinates with Matching Hand Shower
- Handheld Shower Included
- Solid Brass Construction
- Metal Lever Handles
- Valve Not Included, Order OX6-440R
- 4-Hole Installation
- Pforever Warranty®

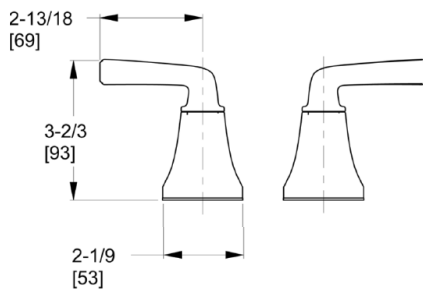
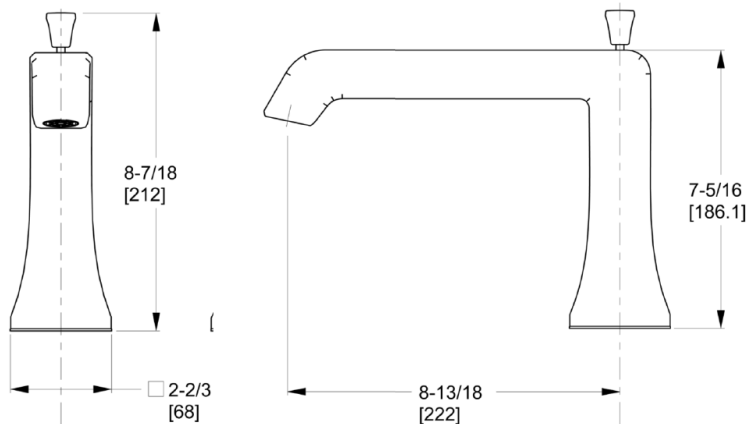
### Code Compliance

Pfister products are designed and manufactured in compliance with the following standards and codes:

- IAPMO Certified
- CSA B125 Certified
- ASME A112.18.1
- CEC Compliant
- ADA Compliant-ANSI A117.1 (Lever handles only)
- ASME A112.18.3 (Backflow Prevention)



## Dimensions



Ø1 Min to Ø1-1/2 Max. Deck Hole Openings

