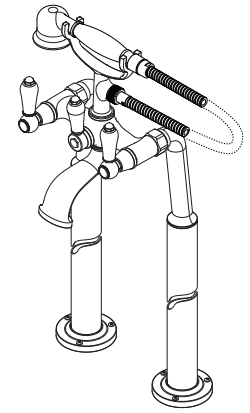


Traditional Tub Filler

- LG6-1TFC Finish(C)
- LG6-1TFD Finish(D)
- LG6-1TFK Finish(K)
- LG6-1TFY Finish(Y)



Specifications

- All Metal Construction

Features

- 1.8 GPM Flow Rate (Handheld)
- 9 GPM @ 45 PSI Flow Rate
- All Metal Construction
- Ceramic Disc Cartridges
- Mounting Hardware Included
- Volume and Temperature Control
- No Rough-In Required
- Pforever Warranty®

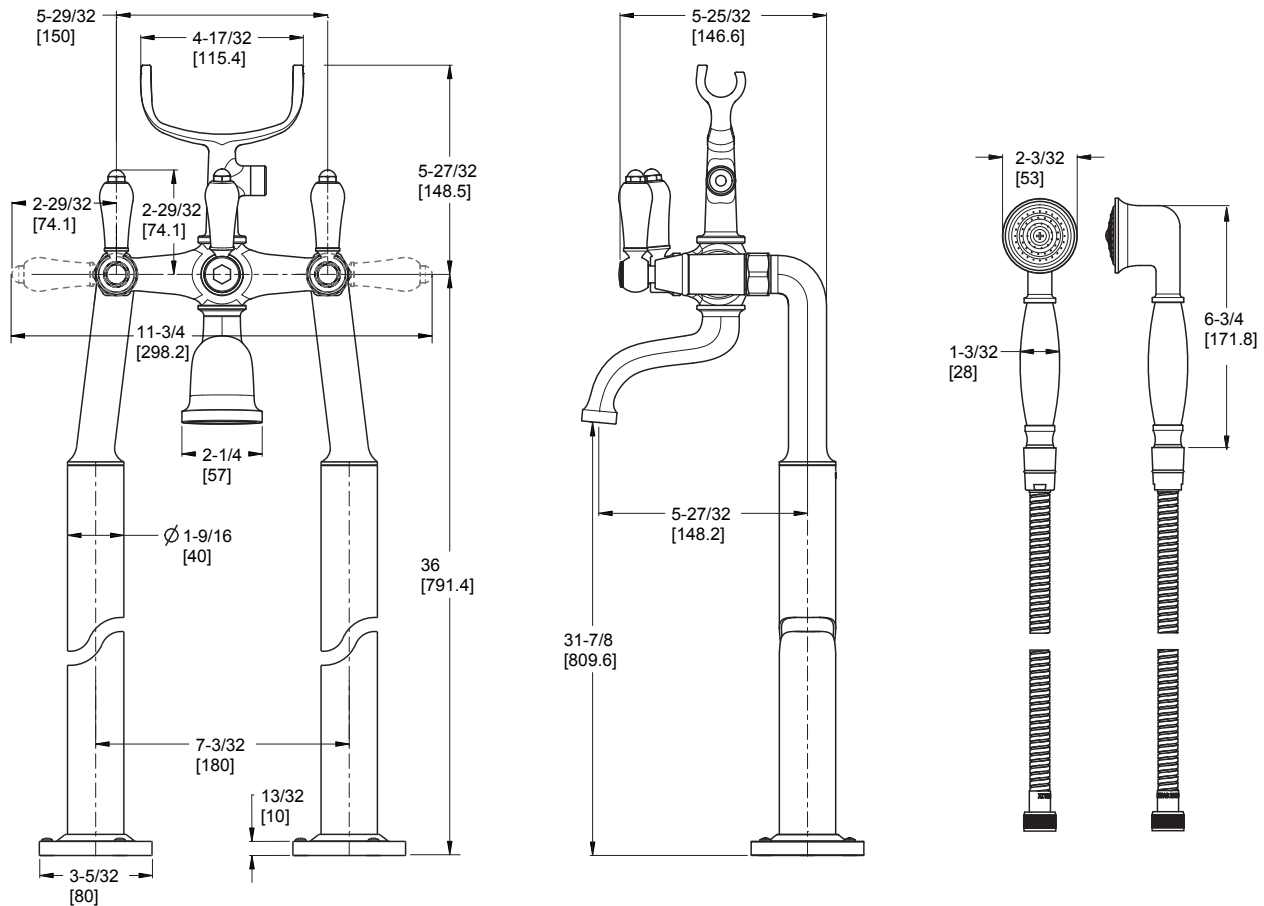
Code Compliance

Pfister products are designed and manufactured in compliance with the following standards and codes:

- IAPMO Certified
- CSA B125 Certified
- ASME A112.18.1
- CEC Compliant
- ADA Compliant-ANSI A171.1 (Lever handles only)
- ASME A112.18.3 (Backflow Prevention)



Dimensions



Ø3-3/8Max. Deck Hole Openings