

Specifications

Features

- 1.2 GPM Flow Rate
- 8-15" Adjustable Widespread
- Fixed Hub
- High Arc Spout
- 360° Rotating Spout
- Quick Install Tool
- Push & Seal™ Drain
- Pforever Warranty®

- 360° Rotating Spout
- Push & Seal™ Pop-Up
- Pforever Seal

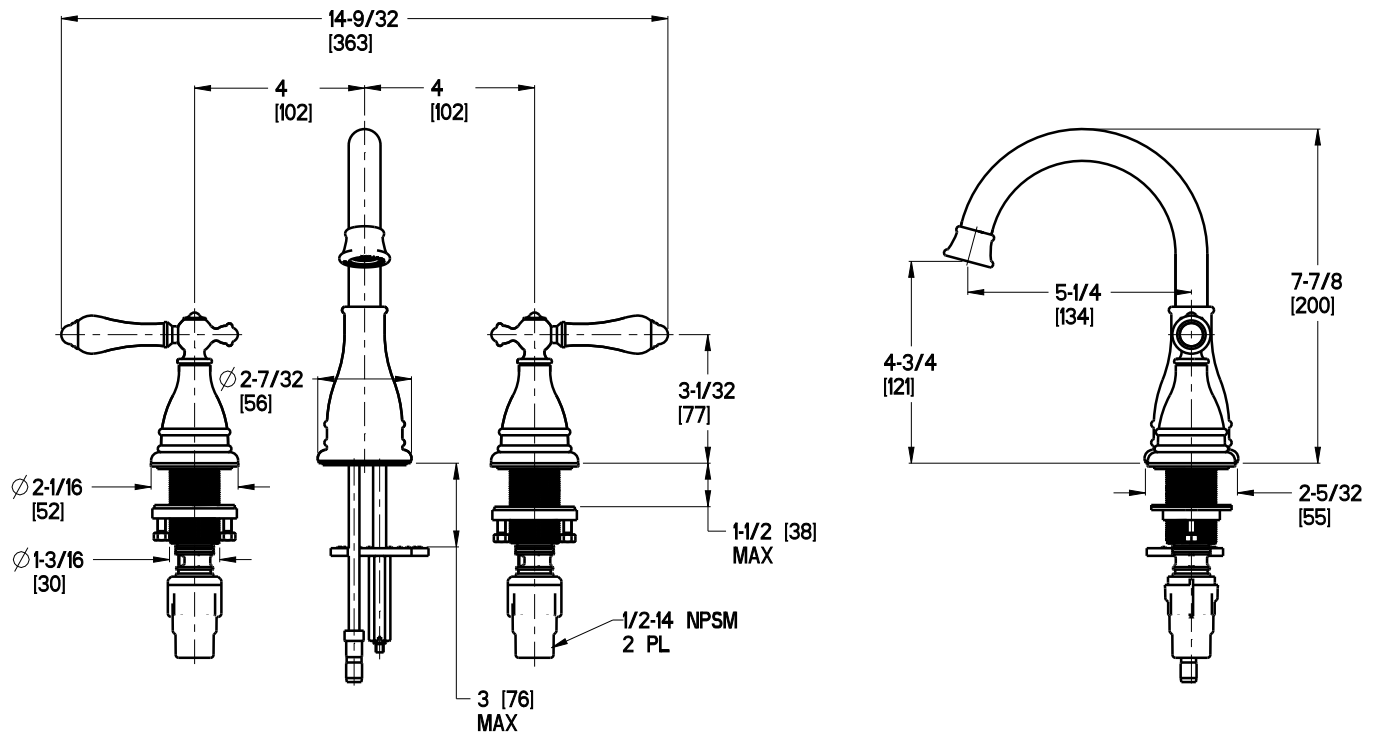
Code Compliance

Pfister products are designed and manufactured in compliance with the following standards and codes:

- IAPMO Certified
- CSA B125 Certified
- ASME A112.18.1
- NSF 61/9 Annex G (Low lead)
- Cal Green Compliant
- CEC Compliant
- EPA WaterSense Certification 1.2 gpm, 4.5 L/Min
- ADA Compliant-ANSI A117.1 (Lever handles only)



Dimensions



ϕ 1 Min to ϕ 1-1/2 Max. Deck Hole Openings