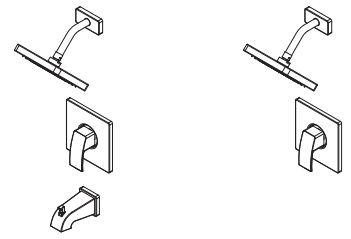


- G89-7DFB Finish(B)
- G89-7DFC Finish(C)
- G89-7DFK Finish(K)

- G89-8DFB Finish(B)
- G89-8DFC Finish(C)
- G89-8DFK Finish(K)



Specifications

Features

- 2.0 GPM Shower Head
- Meets LEED 1.75 GPM Requirements with insert 941-377
- All Metal Construction
- Complete Collection with Coordinating Lavatory and Roman Tub Options
- Mounting Hardware Included
- Quick Trim Installation- Attaches Without Tools, No Exposed Screws
- EZ Clean™
- Secure Pfif Trim
- Raincan
- Tub & Shower (8DF Only)
- Shower Only (7DF Only)
- Metal Shower Arm and Flange
- Self-Cleaning Shower Head
- Quick Connect Tub Spout (8DF Only)
- Pforever Warranty®

- Secure Pfif Trim
- Trim Only, Valve Not Included

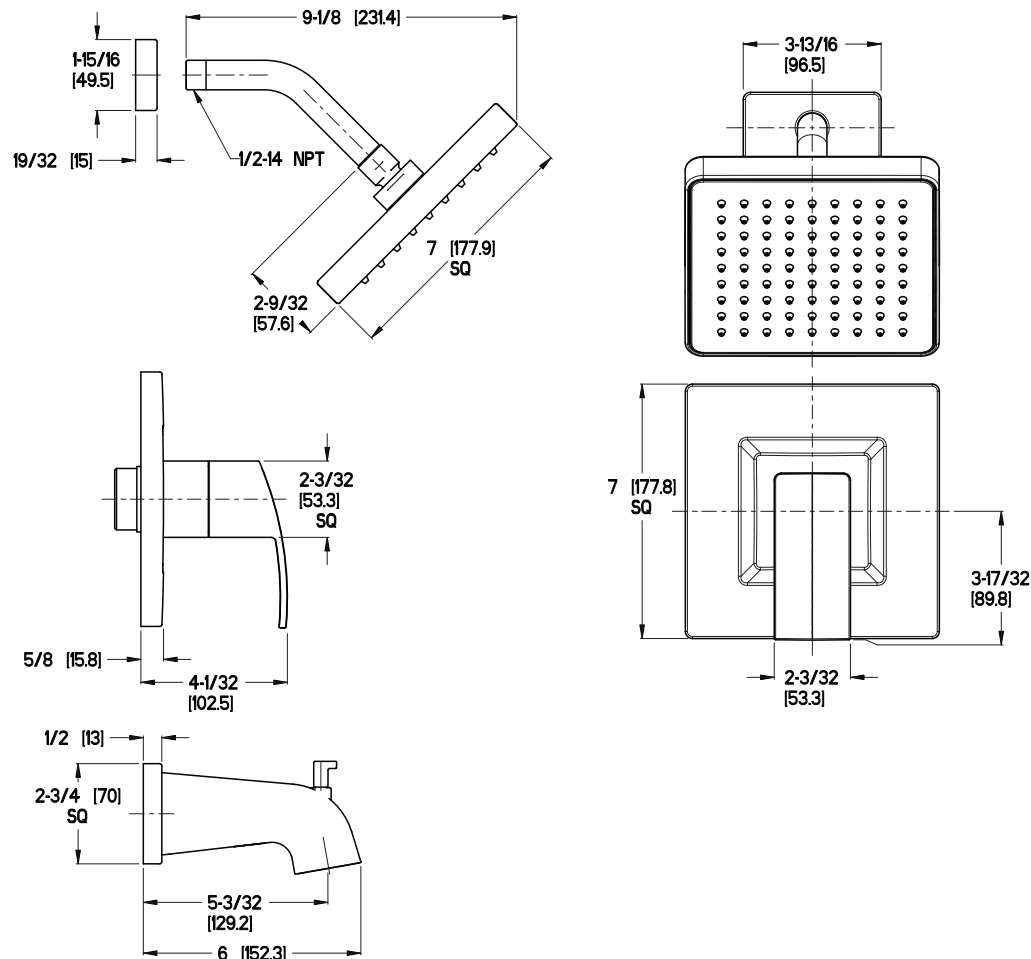
Code Compliance

Pfister products are designed and manufactured in compliance with the following standards and codes:

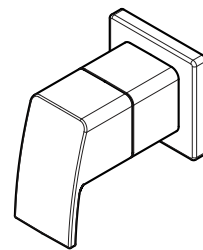
- IAPMO Certified
- CSA B125 Certified
- ASME A112.18.1
- ASSE 1016
- Cal Green Compliant
- ADA Compliant-ANSI A117.1 (Lever handles only)



Dimensions



- 016-DFOB Finish(B)
- 016-DFOC Finish(C)
- 016-DFOK Finish(K)



Specifications

Features

- All Metal Construction
- Concealed Screw
- Mounting Hardware Included
- Pforever Warranty®

- All Metal Construction

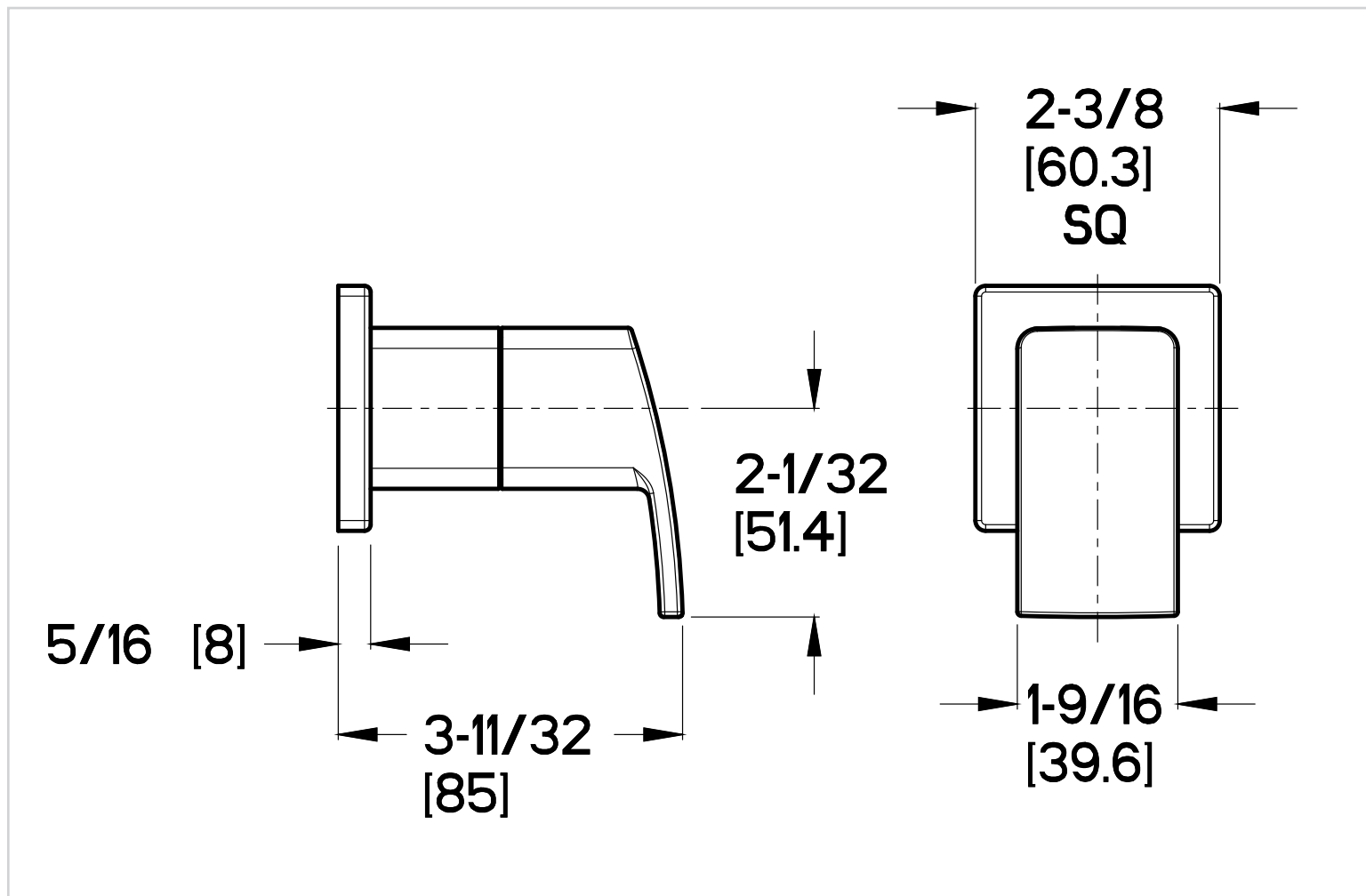
Code Compliance

Pfister products are designed and manufactured in compliance with the following standards and codes:

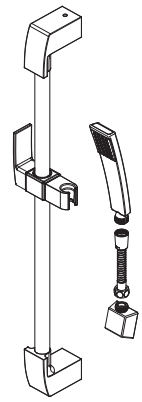
- IAPMO Certified
- CSA B125 Certified
- ASME A112.18.1
- ADA Compliant-ANSI A117.1 (Lever handles only)



Dimensions



- G16-3DFB Finish(B)
- G16-3DFC Finish(C)
- G16-3DFK Finish(K)



Specifications

Features

- 2.0 GPM Flow Rate
- 60" Metal Hose
- All Metal Construction
- Pforever Warranty®

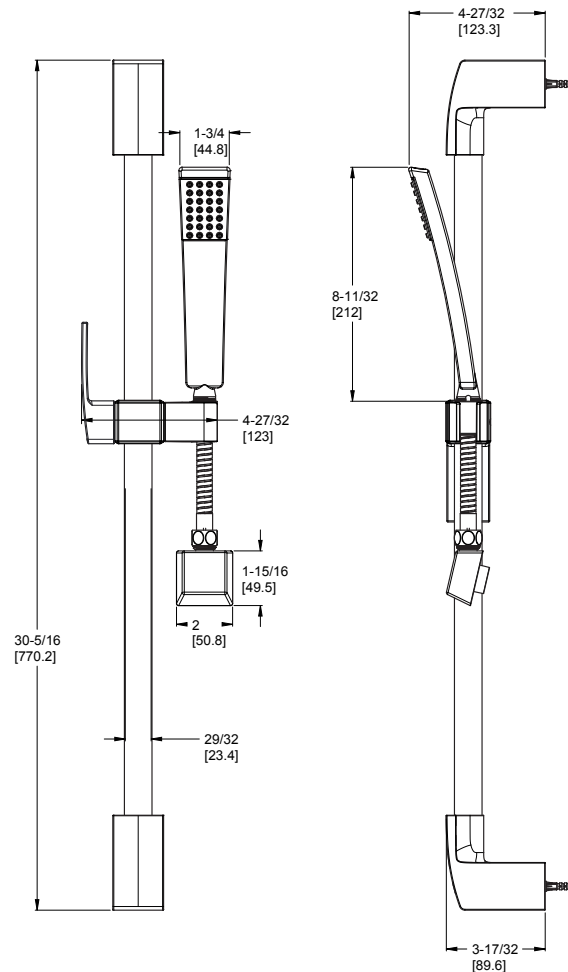
Code Compliance

Pfister products are designed and manufactured in compliance with the following standards and codes:

- IAPMO Certified
- CSA B125 Certified
- ASME A112.18.1
- NSF 61/9 Annex G (Low lead)
- Cal Green Compliant
- CEC Compliant
- EPA WaterSense Certification 2.0 gpm, 76 L/Min

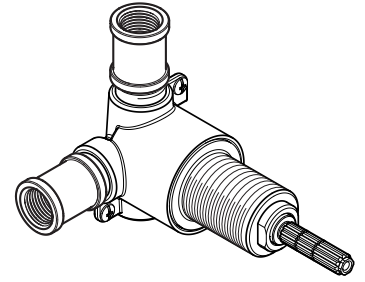


Dimensions



In-Wall Diverter Valve

015-4WDX Finish(XX)



Specifications

Features

- All Metal Construction
- Pforever Warranty®

- All Metal Construction
- Pforever Warranty®

Code Compliance

Pfister products are designed and manufactured in compliance with the following standards and codes:



- IAPMO Certified
- CSA B125 Certified
- ASME A112.18.1
- ADA Compliant-ANSI A117.1 (Lever handles only)

Dimensions

