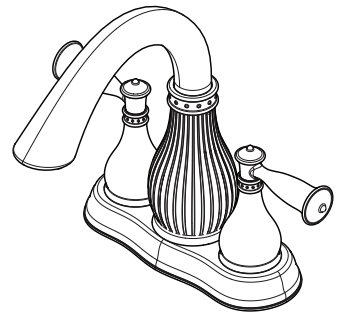


LF-043-VTKK Finish(KK)
 LF-043-VTTY Finish(YT)



Specifications

- Pforever Seal
- Push & Seal™ Pop-Up

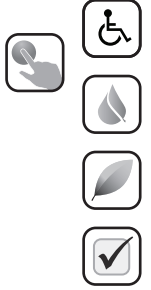
Features

- 1.2 GPM Flow Rate
- 3-Hole Installation
- Fixed Hub
- High Arc Spout
- Mounting Hardware Included
- Push & Seal™ Pop-Up
- Pforever Seal Ceramic Disc Valve
- Pforever Warranty®

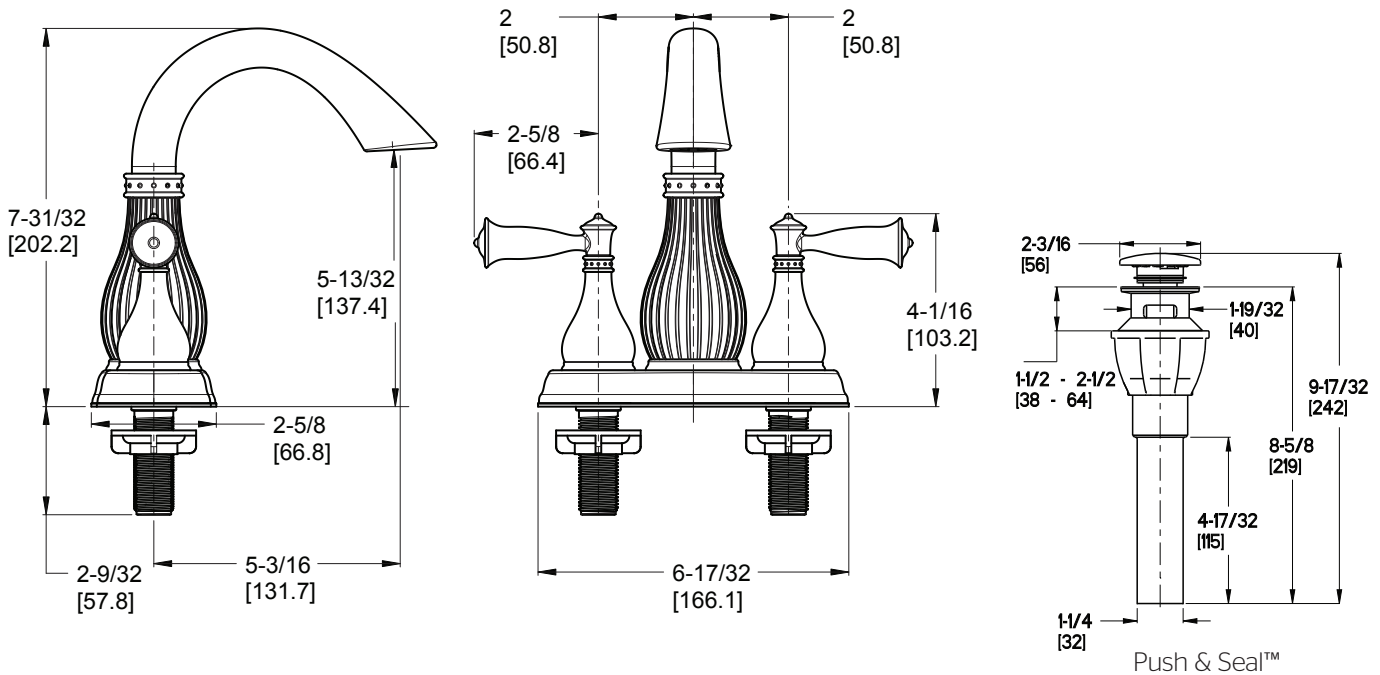
Code Compliance

Pfister products are designed and manufactured in compliance with the following standards and codes:

- IAPMO Certified
- CSA B125 Certified
- ASME A112.18.1
- Cal Green Compliant
- NSF 61/9 Annex G (Low lead)
- EPA WaterSense Certification 1.2 gpm, 4.5 L/Min
- ADA Compliant-ANSI A117.1 (Lever handles only)



Dimensions



Ø1 Min to Ø1-1/2 Max. Deck Hole Openings