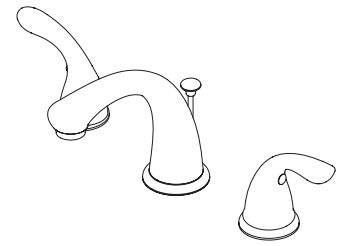


LG149-6100 Finish(C)

LG149-610K Finish(K)

LG149-610Y Finish(Y)



Specifications

Features

- 1.2 GPM Flow Rate
- All Metal Construction
- Metal Pop-Up Drain
- Lever Handle with Red and Blue Indicators
- Pforever Seal™ Ceramic Disc Valves
- Limited Lifetime Warranty

- 3-Hole Installation
- Pforever Seal™
- Metal Pop-Up

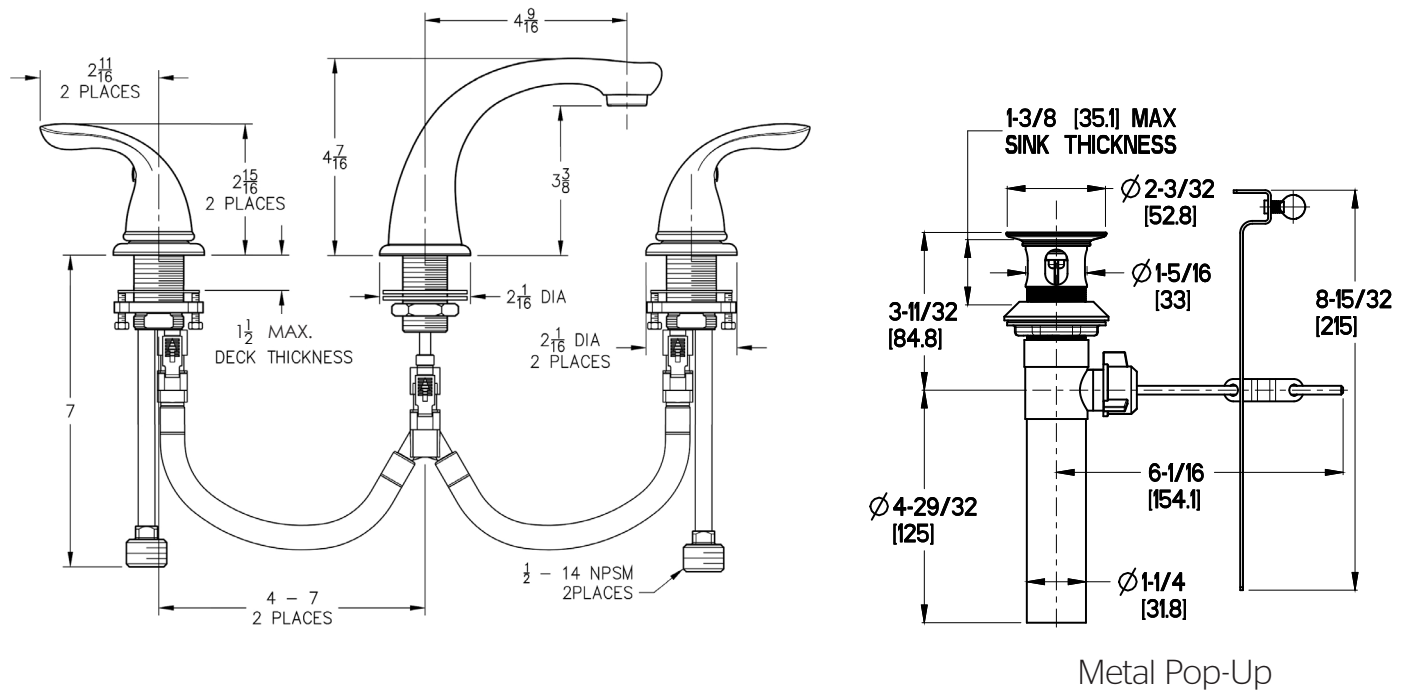
Code Compliance

Pfister products are designed and manufactured in compliance with the following standards and codes:

- IAPMO Certified to ASME A112.18.1/CSA B125.1
- NSF/ANSI/CAN61:Q≤1
- CEC Certified/CALGreen compliant
- EPA WaterSense Certified
- ADA Compliant - ANSI A117.1 (Lever Handles Only)



Dimensions



Ø1-1/4 Min to Ø1-1/2 Max. Deck Hole Openings