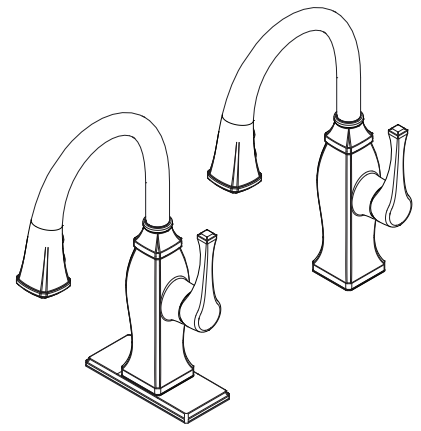


Briarsfield™

Pull Down Bar Faucet

- GT572-BFC Finish(C)
- GT572-BFD Finish(D)
- GT572-BFS Finish(S)
- GT572-BFY Finish(Y)



Specifications

- 1, 2, or 3-Hole Installation
- Pforever Seal

Features

- 1.8 GPM Flow Rate
- 1, 2, or 3-Hole Installation; Deck Plate or Single Hole Mounting Option
- All Metal Construction
- 3 Function Pull-Down Sprayer
- Optional Deckplate
- Soap/Lotion Dispenser Optional (Order KSD-BFx)

- Volume and Temperature Control
- Pforever Seal Ceramic Disc Valves
- Pforever Warranty®

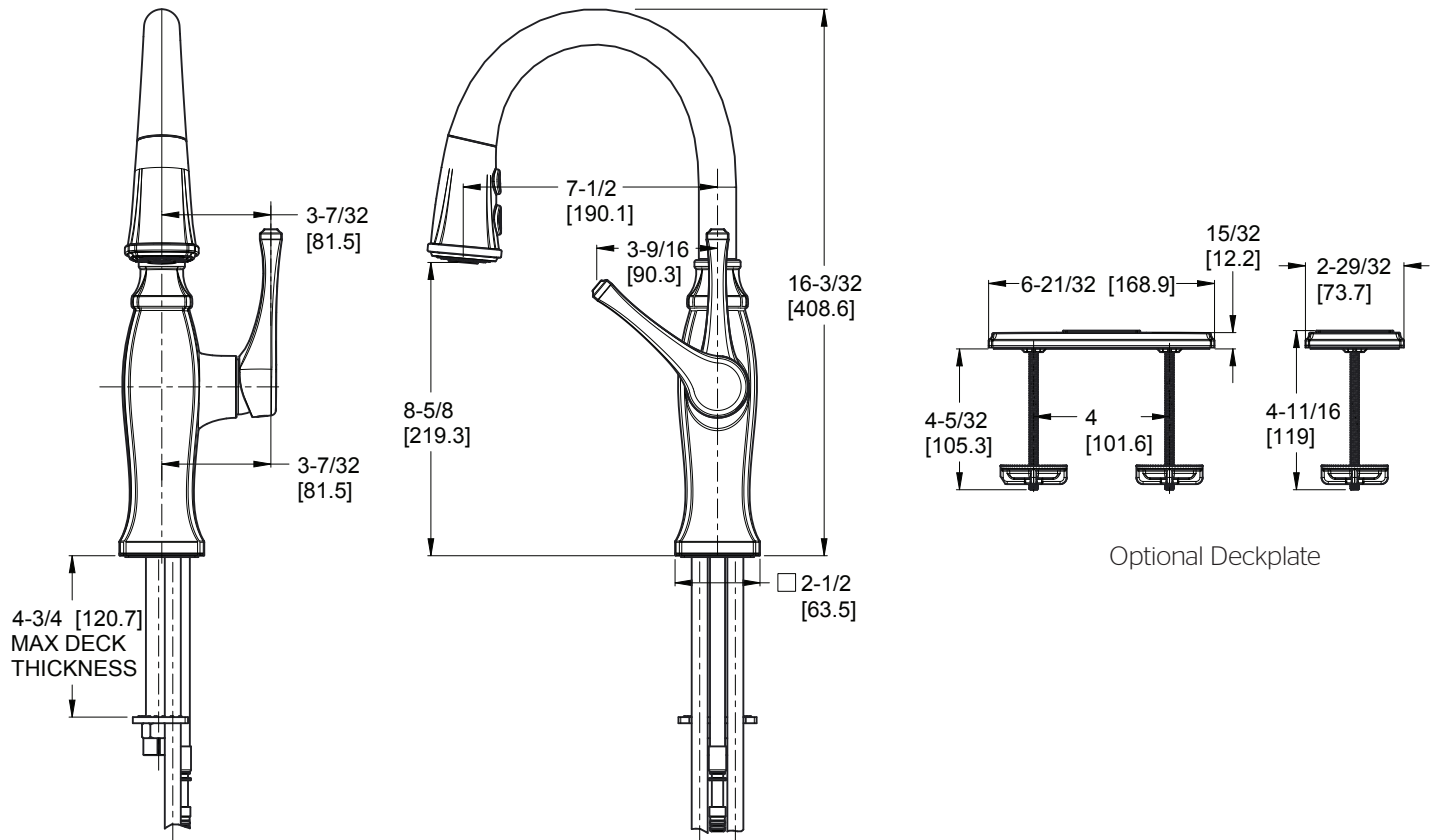
Code Compliance

Pfister products are designed and manufactured in compliance with the following standards and codes:

- IAPMO Certified
- CSA B125 Certified
- ASME A112.18.1
- NSF 61/9 Annex G (Low lead)



Dimensions



Ø1-3/8 Min to Ø1-1/2 Max. Deck Hole Openings