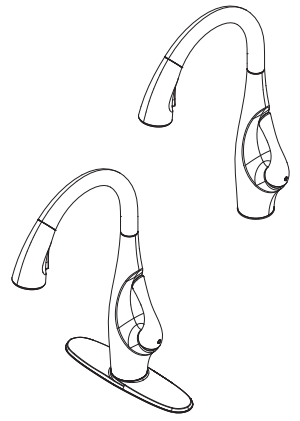


- F529-7NDC Finish(C)
- F529-7NDS Finish(S)



### Specifications

- 1, 2, 3, or 4-Hole Installation
- 360° Rotating Spout
- Pforever Seal

### Features

- 1.8 GPM Flow Rate
- 1, 2, 3, or 4-Hole Installation; Deck Plate or Single Hole Mounting Option
- 2 Function Pull-Down Sprayer
- Accudock Sprayhead Docking
- EZ Clean™
- 360° Rotating Spout
- Nylon Flex-Lines Supply Lines
- Pfast Connect
- PVD Finish
- Swivel Spout
- Soap Dispenser
- TiteSeal™ Deckplate
- Quick Install Tool
- Pforever Seal Ceramic Disc Valve
- Pforever Warranty®

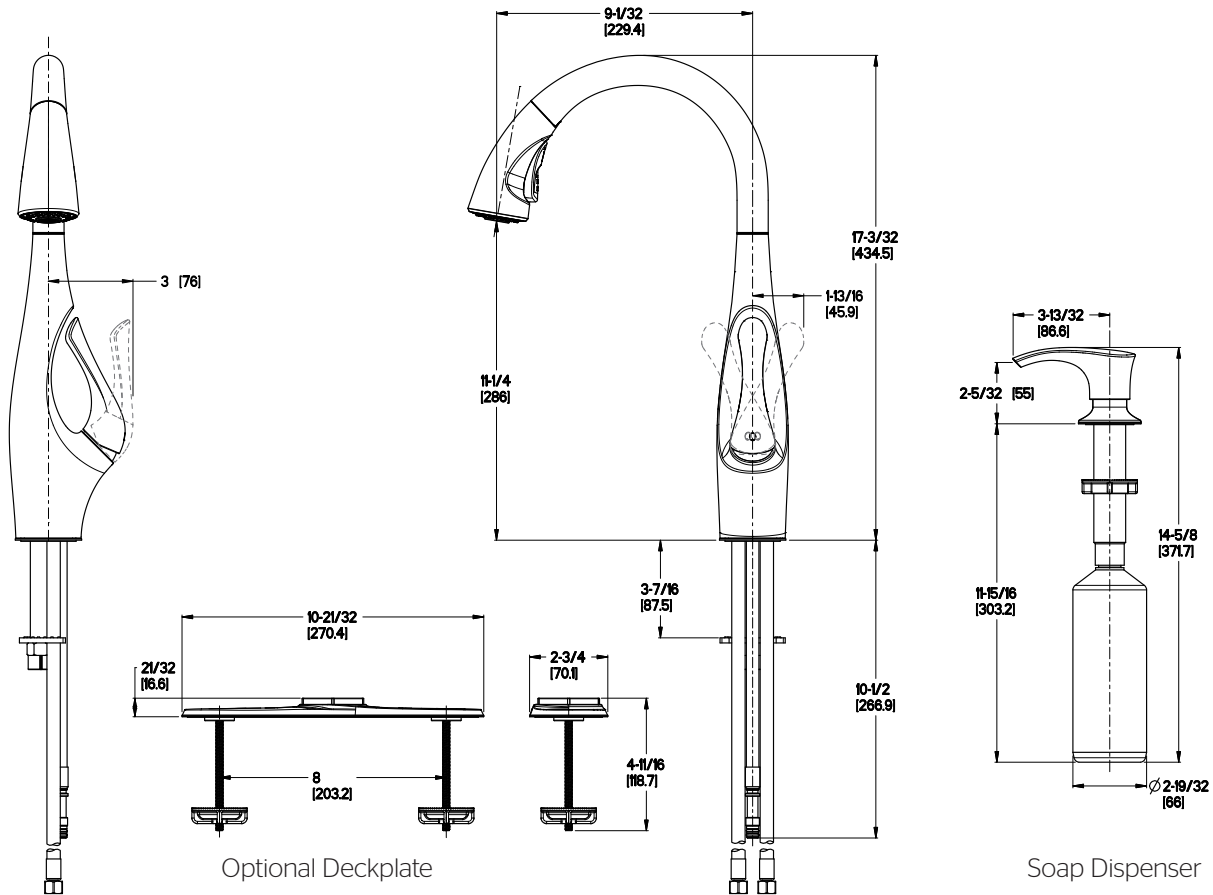
### Code Compliance

Pfister products are designed and manufactured in compliance with the following standards and codes:

- IAPMO Certified
- CSA B125 Certified
- ASME A112.18.1
- NSF 61/9 Annex G (Low lead)
- Cal Green Compliant
- ADA Compliant-ANSI A117.1 (Lever handles only)



### Dimensions



Ø1-3/8 Min to Ø1-1/2 Max. Deck Hole Openings