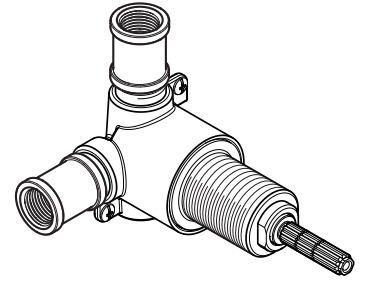


## In-Wall Diverter Valve

015-4WDX Finish(XX)



### Specifications

#### Features

- All Metal Construction
- Pforever Warranty®

- All Metal Construction
- Pforever Warranty®

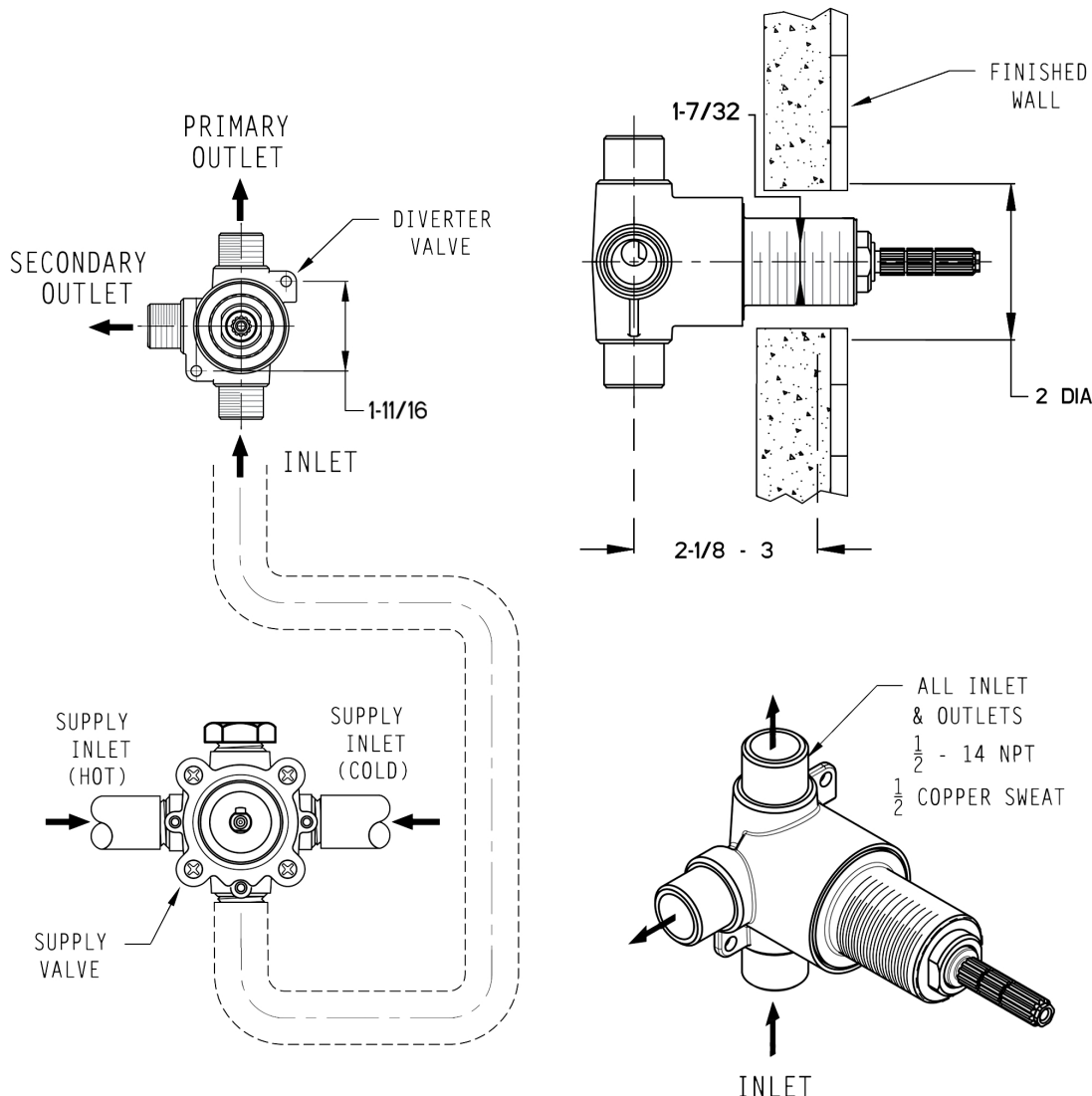
#### Code Compliance

Pfister products are designed and manufactured in compliance with the following standards and codes:

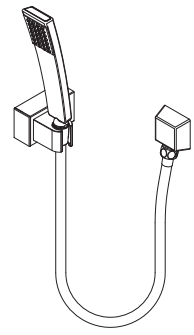


- IAPMO Certified
- CSA B125 Certified
- ASME A112.18.1
- ADA Compliant-ANSI A117.1 (Lever handles only)

### Dimensions



- |   |   |
|---|---|
| G16-1DFB Finish(B) <input type="checkbox"/> | 016-1DFB Finish(B) <input type="checkbox"/> |
| G16-1DFC Finish(C) <input type="checkbox"/> | 016-1DFC Finish(C) <input type="checkbox"/> |
| G16-1DFK Finish(K) <input type="checkbox"/> | 016-1DFK Finish(K) <input type="checkbox"/> |



## Specifications

### Features

- 60" Metal Hose
- Pforever Warranty®

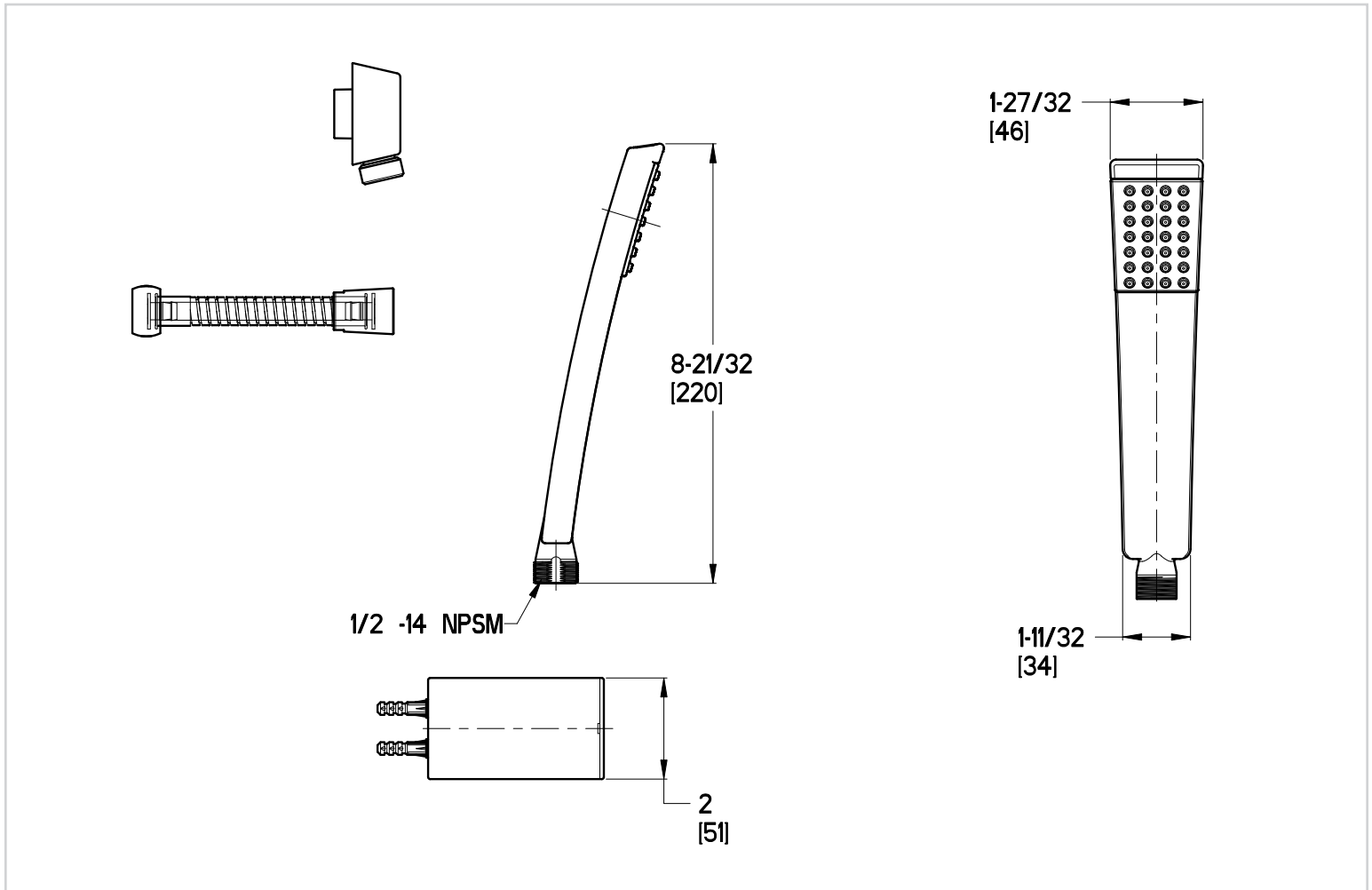
### Code Compliance

Pfister products are designed and manufactured in compliance with the following standards and codes:

- IAPMO Certified
- CSA B125 Certified
- ASME A112.18.1
- Cal Green Compliant (G16 Only)
- ADA Compliant-ANSI A117.1 (Lever handles only)

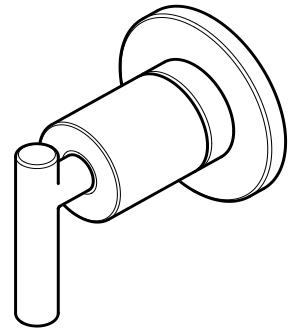


## Dimensions



## Contempra™ Diverter Trim

- 016-NC1C Finish(CC)
- 016-NC1K Finish(KK)



### Specifications

- Pforever Warranty®

#### Features

- All Metal Construction
- Pforever Warranty®

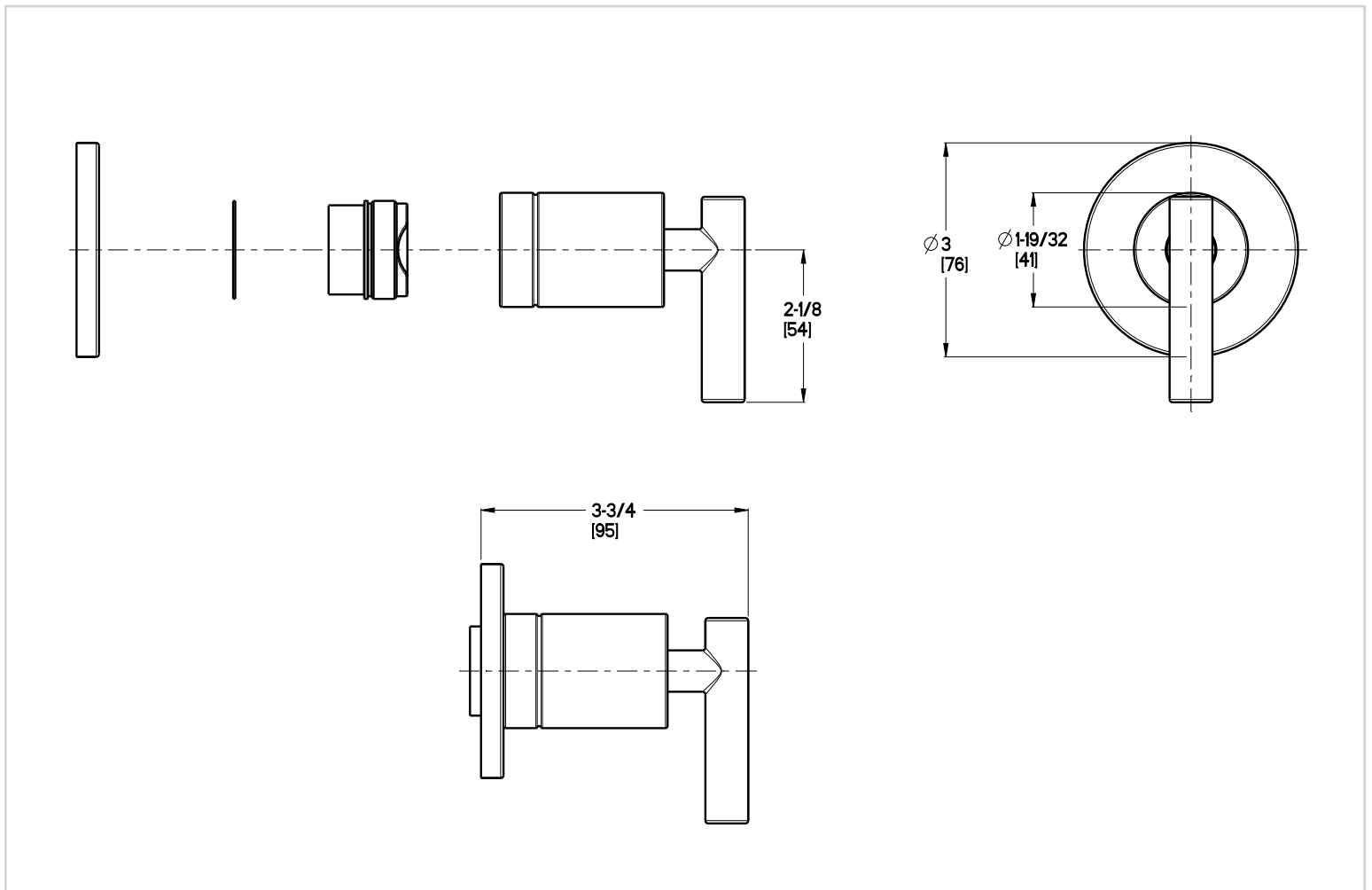
#### Code Compliance

Pfister products are designed and manufactured in compliance with the following standards and codes:



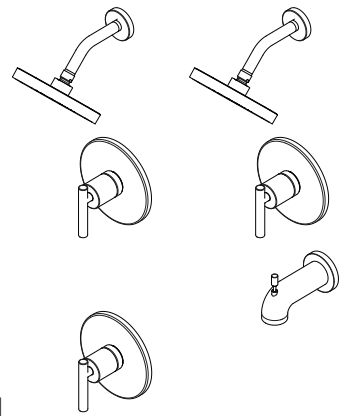
- IAPMO Certified
- CSA B125 Certified
- ASME A112.18.1
- ADA Compliant-ANSI A117.1 (Lever handles only)

### Dimensions



## Contempra™ Tub And Shower Trim

- |  |  |
|--|--|
| R89-1NCC Finish(CC) <input type="checkbox"/> | R89-7NCK Finish(KK) <input type="checkbox"/> |
| R89-1NCK Finish(KK) <input type="checkbox"/> | R89-8NCC Finish(CC) <input type="checkbox"/> |
| R89-7NCC Finish(CC) <input type="checkbox"/> | R89-8NCK Finish(KK) <input type="checkbox"/> |



### Specifications

- Single Control
- Trim Only, Valve Not Included

### Features

- Brass Ball Joints (1NC Excluded)
- Fixed Hub
- PVD Finish (KK Finish Only)
- Raincan Included (1NC Excluded)
- Volume and Temperature Control
- Tub & Shower (8NC Only)
- Shower Only (7NC Only)
- Valve Only (1NC Only)
- Pforever Warranty®

### Code Compliance

Pfister products are designed and manufactured in compliance with the following standards and codes:

- IAPMO Certified
- CSA B125 Certified
- ASME A112.18.1
- ADA Compliant-ANSI A117.1 (Lever handles only)



### Dimensions

