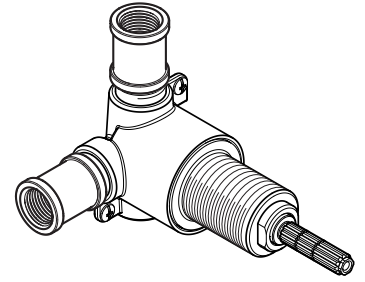


In-Wall Diverter Valve

015-4WDX Finish(XX)



Specifications

Features

- All Metal Construction
- Pforever Warranty®

- All Metal Construction
- Pforever Warranty®

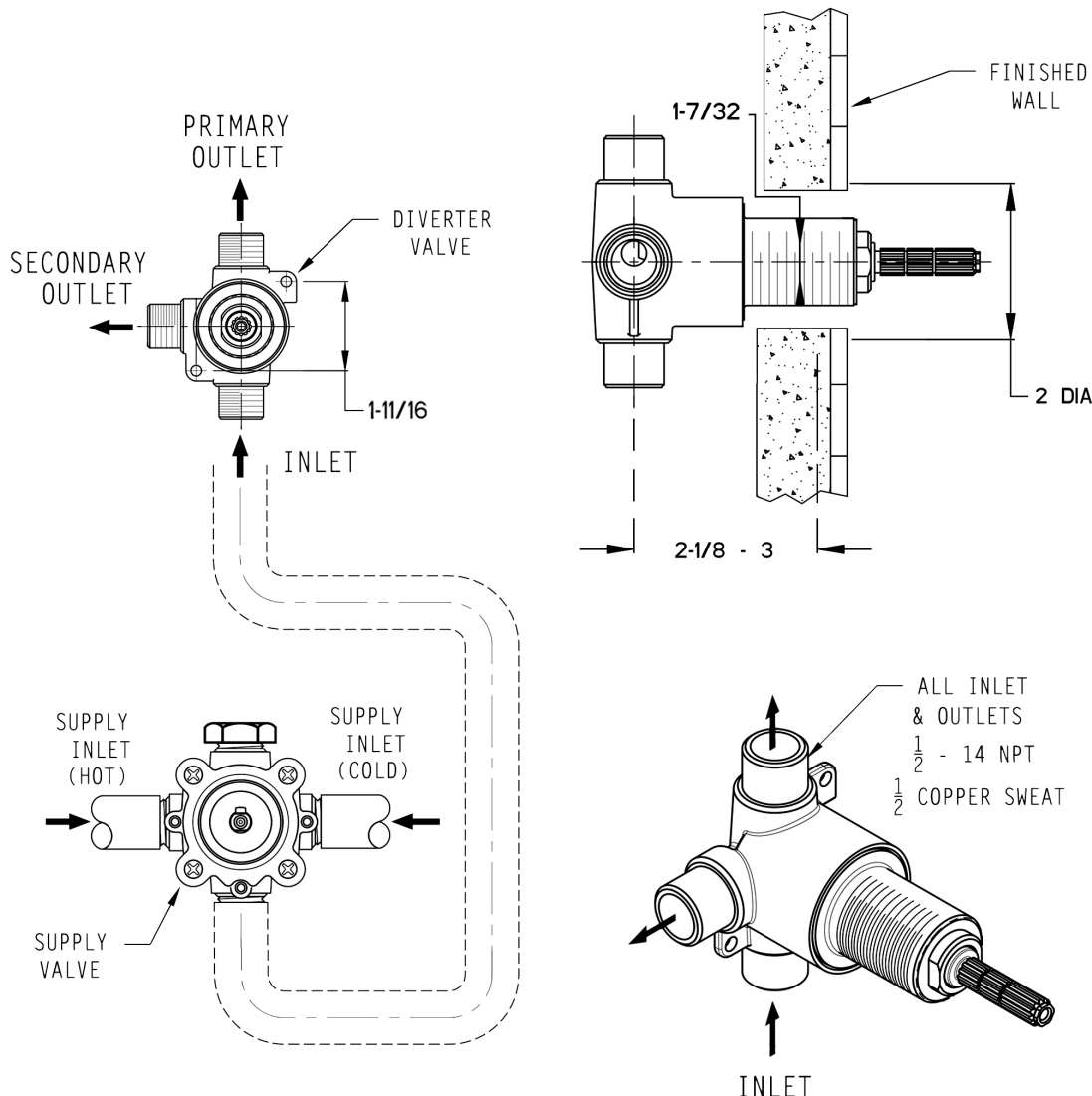
Code Compliance

Pfister products are designed and manufactured in compliance with the following standards and codes:



- IAPMO Certified
- CSA B125 Certified
- ASME A112.18.1
- ADA Compliant-ANSI A117.1 (Lever handles only)

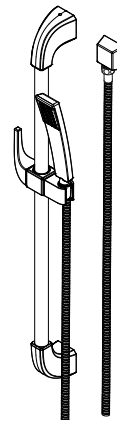
Dimensions



Modern Slide Bar

- 016-3FWC Finish(CC)
- 016-3FWK Finish(KK)
- 016-3FWD Finish(DD)
- 016-3FWY Finish(Y Y)

- All Metal Construction
- Pforever Warranty®



Specifications

Features

- 60" Metal Hose
- Adjustable Heights Handheld
- All Metal Construction
- Pforever Warranty®

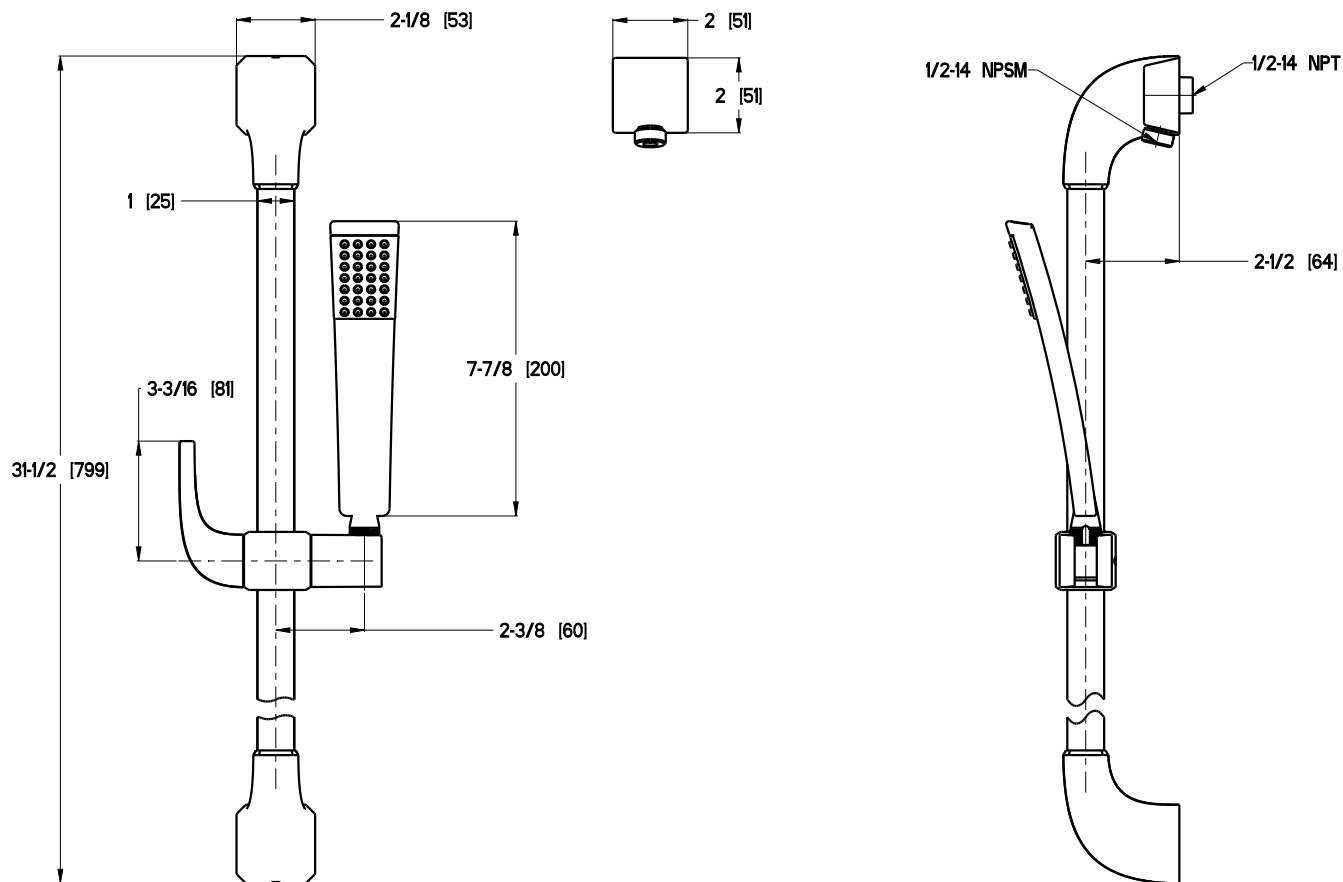
Code Compliance

Pfister products are designed and manufactured in compliance with the following standards and codes:

- IAPMO Certified
- CSA B125 Certified
- ASME A112.18.1
- ADA Compliant-ANSI A117.1 (Lever handles only)

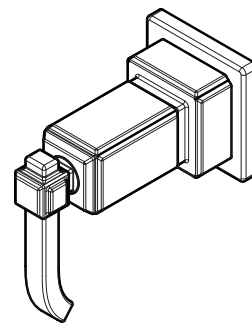


Dimensions



Ø1 Min to Ø1-1/2 Max. Deck Hole Openings

- 016-WEOC Finish(CC)
- 016-WEOD Finish(DD)
- 016-WEOK Finish(KK)
- 016-WE0Y Finish(Y Y)



Specifications

Features

- All Metal Construction
- Pforever Warranty®

- All Metal Construction

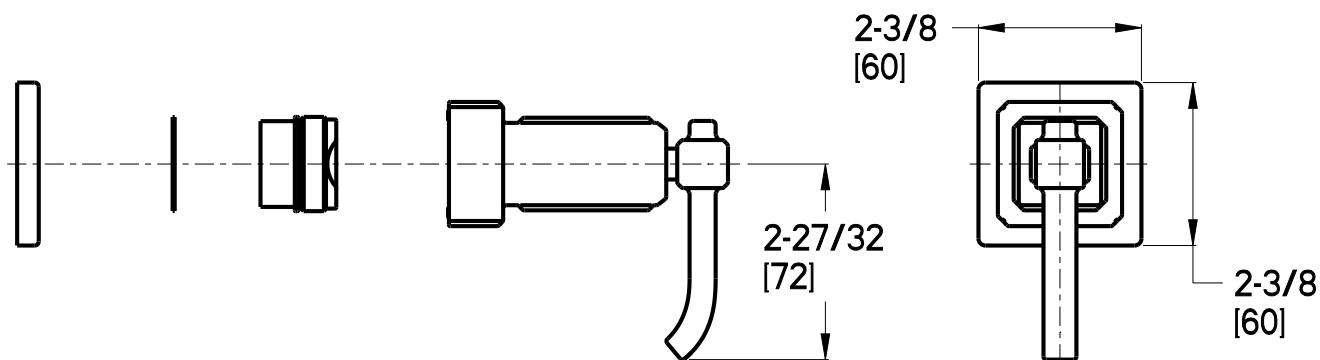
Code Compliance

Pfister products are designed and manufactured in compliance with the following standards and codes:

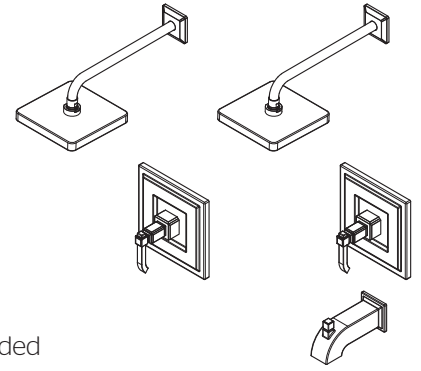
- IAPMO Certified
- CSA B125 Certified
- ASME A112.18.1
- ADA Compliant-ANSI A117.1 (Lever handles only)



Dimensions



- | | |
|---|---|
| R89-7WEC Finish(CC) <input type="checkbox"/> | R89-8WEC Finish(CC) <input type="checkbox"/> |
| R89-7WED Finish(DD) <input type="checkbox"/> | R89-8WED Finish(DD) <input type="checkbox"/> |
| R89-7WEK Finish(KK) <input type="checkbox"/> | R89-8WEK Finish(KK) <input type="checkbox"/> |
| R89-7WEY Finish(Y Y) <input type="checkbox"/> | R89-8WEY Finish(Y Y) <input type="checkbox"/> |



Specifications

- Lever Handles
- Trim Only, Valve Not Included

Features

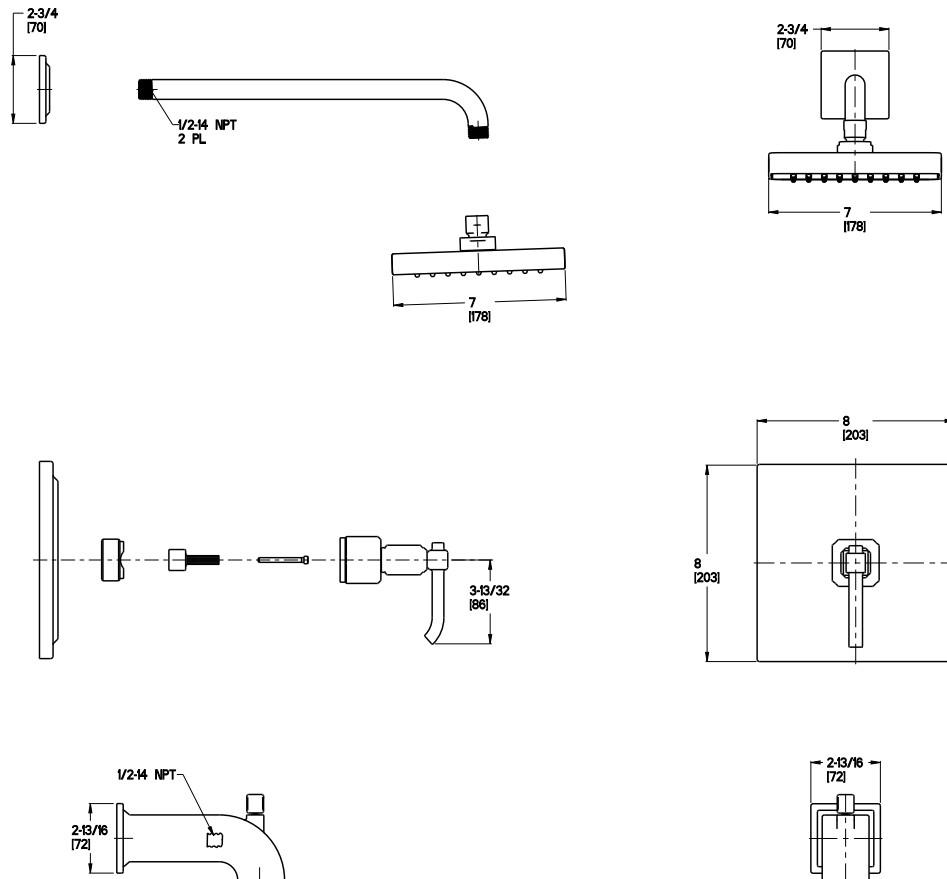
- Solid Metal Construction
- Lever Handle
- Brass Ball Joints
- Fits OX8 and OX9 Valve Bodies
- Shower Only (7WE Only)
- Tub & Shower (8WE Only)
- Trim Only, Valve Not Included
- Decorative Shower Arm
- Raincan
- Pforever Warranty®

Code Compliance

- Pfister products are designed and manufactured in compliance with the following standards and codes:
- IAPMO Certified
 - CSA B125 Certified
 - ASME A112.18.1
 - Cal Green Compliant
 - ADA Compliant-ANSI A117.1 (Lever handles only)



Dimensions



Ø1 Min to Ø1-1/2 Max. Deck Hole Openings