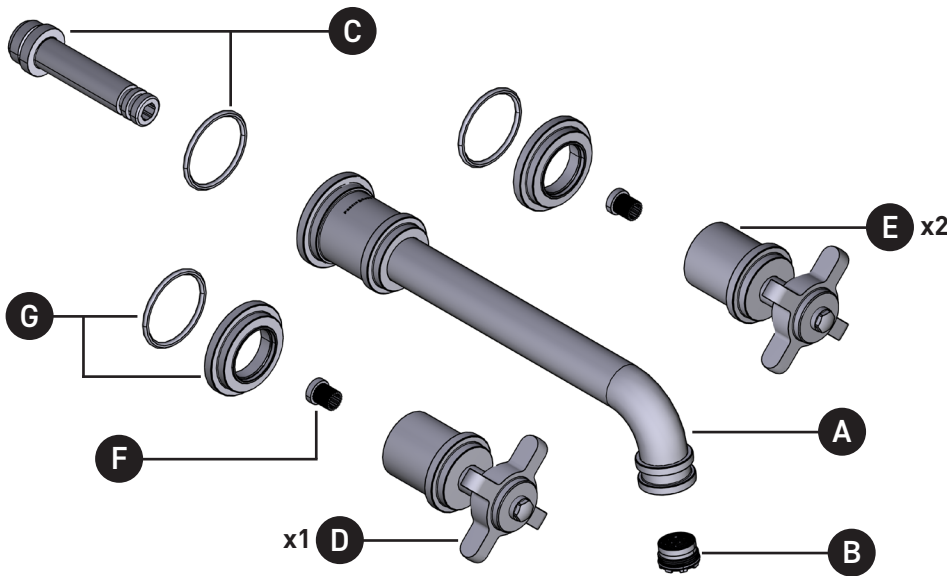


ORDER BY PART NUMBER

# ILLUSTRATED PARTS

## U.TAR08W3XM

Armstrong™ Wall Mount  
Lavatory Faucet Trim



ID	Kit Number	Finish
*A	9.202017	See Below
B	9.25606	N/A
C	9.11625	N/A
*D	U.TAR18W1XM (Single)	See Below
*E	U.AR81DWWSXM (Pair)	See Below
F	9.15402 (x2)	N/A
*G	9.18610 (x2)	See Below

**\*Finish Determined by Suffix**

Finish	Description
APC	Polished Chrome
EG	English Gold
PN	Polished Nickel
SEG	Satin English Gold
STN	Satin Nickel
ULB	Unlacquered Brass

For warranty or additional information, contact:

**US Customers**

U.S.A.  
houseofrohl.com/support  
1-800-777-9762

**Canadian Customers**

QUEBEC / MARITIMES / WESTERN CANADA  
QUÉBEC / MARITIMES / OUEST CANADIEN  
QUEBEC / MARITIMOS / CANADA OCCIDENTAL  
houseofrohl.ca/support  
1-866-473-8442

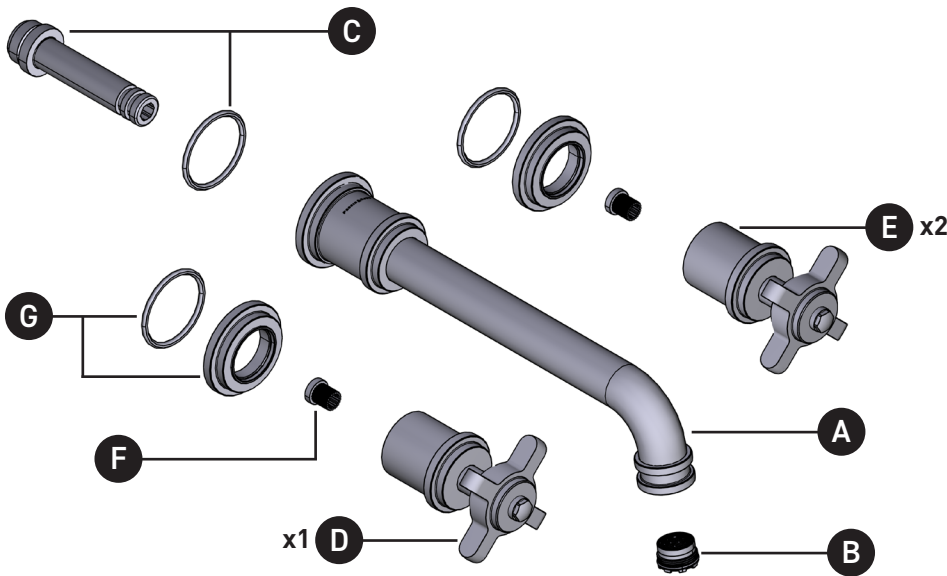
ONTARIO  
houseofrohl.ca/support  
1-800-287-5354

VEUILLEZ EFFECTUER VOTRE COMMANDE  
PAR NO DE RÉFÉRENCE

# ILLUSTRATIONS DES PIÈCES

## U.TAR08W3XM

Garniture de robinet de lavabo mural  
Armstrong<sup>MC</sup>



ID	Référence du kit	Finition
*A	9.202017	Voir ci-dessous
B	9.25606	N/A
C	9.11625	N/A
*D	U.TAR18W1XM (Seul)	Voir ci-dessous
*E	U.AR81DWWSXM (Paire)	Voir ci-dessous
F	9.15402 (x2)	N/A
*G	9.18610 (x2)	Voir ci-dessous

### \*Finition déterminée par le Suffixe

Finition	Description
APC	Cromo pulido
EG	Oro inglés
PN	Níquel pulido
SEG	Or anglais satiné
STN	Níquel satinado
ULB	Latón sin esmaltar

For warranty or additional information, contact:

US Customers

U.S.A.  
houseofrohl.com/support  
1-800-777-9762

Canadian Customers

QUEBEC / MARITIMES / WESTERN CANADA  
QUÉBEC / MARITIMES / OUEST CANADIEN  
QUEBEC / MARITIMOS / CANADA OCCIDENTAL  
houseofrohl.ca/support  
1-866-473-8442

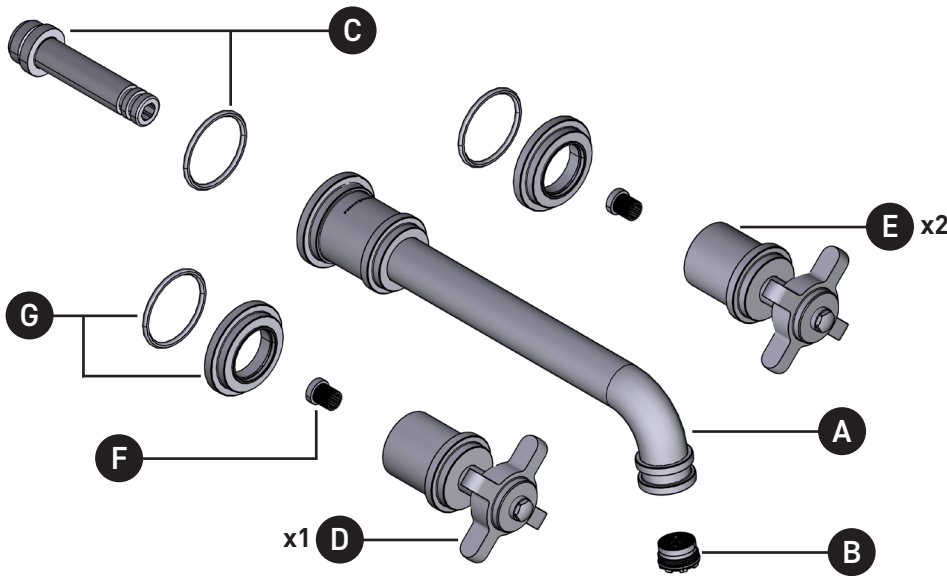
ONTARIO  
houseofrohl.ca/support  
1-800-287-5354

PEDIR POR NÚMERO DE REFERENCIA

# PIEZAS ILUSTRADAS

## U.TAR08W3XM

Moldura Armstrong™ para llave de lavabo de montaje mural



ID	Referencia del kit	Acabado
*A	9.202017	Ver más abajo
B	9.25606	N/A
C	9.11625	N/A
*D	U.TAR18W1XM [Solo]	Ver más abajo
*E	U.AR81DWWSXM [Par]	Ver más abajo
F	9.15402 (x2)	N/A
*G	9.18610 (x2)	Ver más abajo

**\*Acabado determinado por el sufijo**

Acabado	Descripción
APC	Laiton poli
EG	Or anglais
PN	Níquel pulido
SEG	Oro inglés satinado
STN	Níquel satinado
ULB	Latón sin esmaltar

For warranty or additional information, contact:

US Customers

U.S.A.  
houseofrohl.com/support  
1-800-777-9762

Canadian Customers

QUEBEC / MARITIMES / WESTERN CANADA  
QUÉBEC / MARITIMES / QUÉST CANADIEN  
QUEBEC / MARITIMOS / CANADA OCCIDENTAL  
houseofrohl.ca/support  
1-866-473-8442

ONTARIO  
houseofrohl.ca/support  
1-800-287-5354