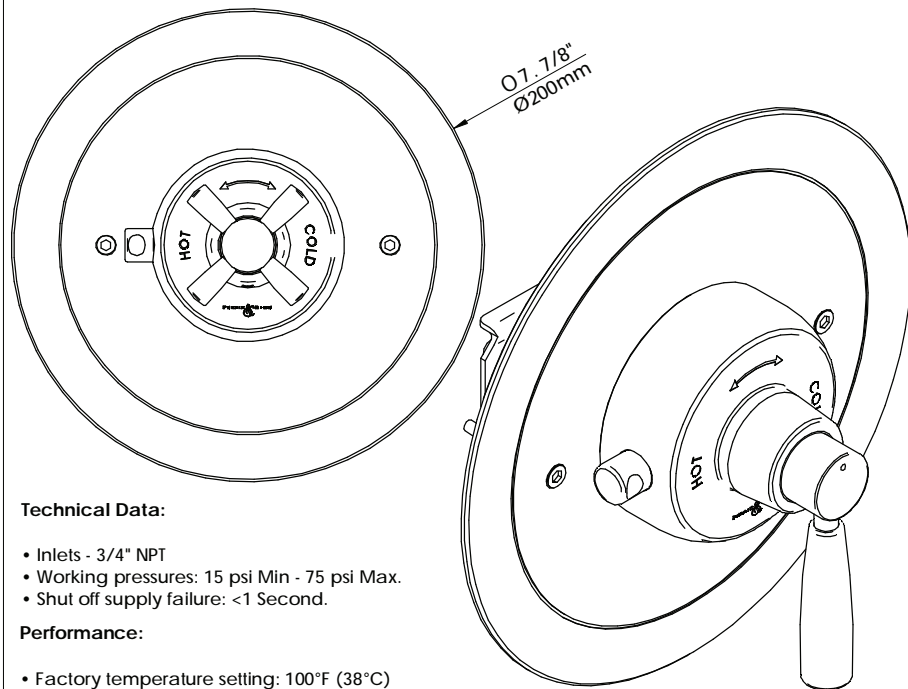


The Transitional Bathroom Collection

Installation & User Guide

• U.5886TX • U.5885T LS  
TRANSITIONAL CONCEALED THERMOSTATIC  
SHOWER (TRIM ONLY)

**USED WITH: U.5585R**



**Technical Data:**

- Inlets - 3/4" NPT
- Working pressures: 15 psi Min - 75 psi Max.
- Shut off supply failure: <1 Second.

**Performance:**

- Factory temperature setting: 100°F (38°C)
- Temperature range: 52-118°F (11-48°C)
- Temperature Hot supply: 149-180°F (65-82°C)
- Temperature Cold supply: 50-72°F (10-22°C)
- Temperature Stability: ±32°F
- Ideal performance obtained with equal hot & cold pressures.

The Transitional Bathroom Collection  
Installation & User Guide

*Congratulations on the purchase of your Perrin & Rowe bathroom tapware. Correctly installed and with sensible care, this product will give you many years of trouble free service.*

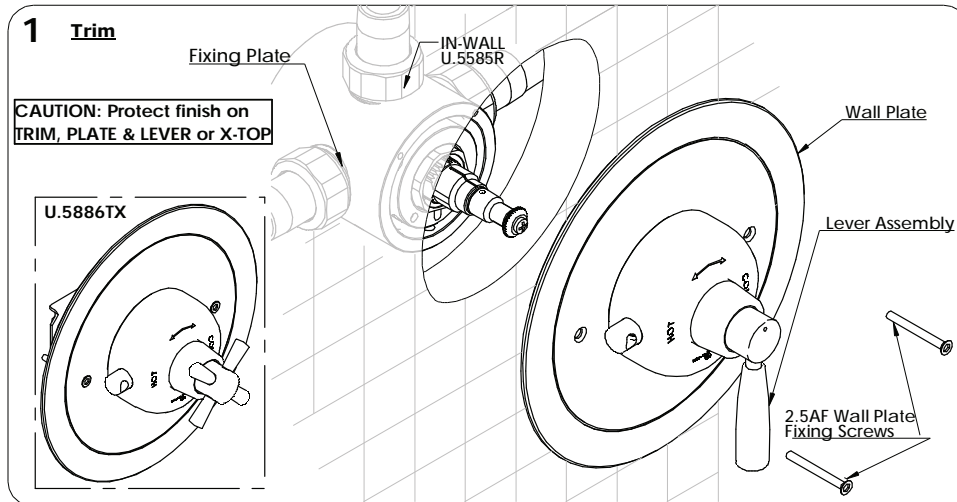
**IMPORTANT INFORMATION**

Before you proceed... We recommend you engage the services of a registered plumber to install this product.

In addition to the guide below it is essential that the written information overleaf is carefully read and understood.

**Preparation Check Box for Installer**

Please check that the contents of your Perrin & Rowe Shower Trim set are complete. Please check before you install the product that there is no damage to the contents as **we cannot accept any responsibility after installation.**

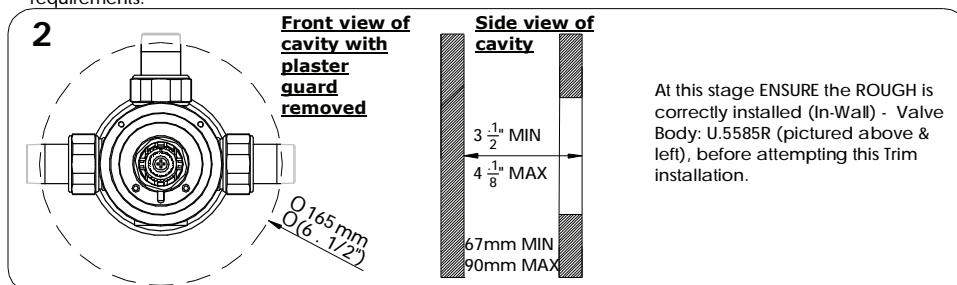


**Preparation Check Box for Installer - Wall Mounted**

We recommend that the hot and cold supplies should have conveniently placed isolating valves to accommodate any servicing requirements.

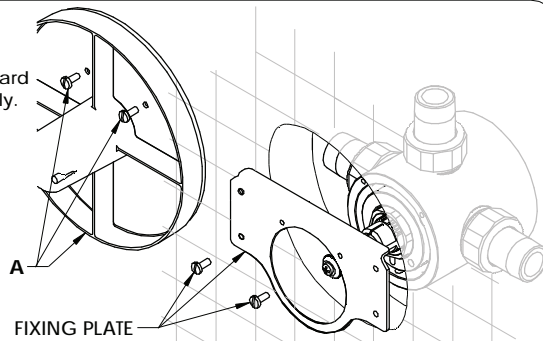
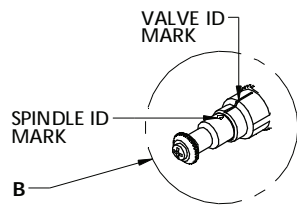
Flush the plumbing system before installing the bathroom product.

Prepare cavity to sizes shown below.

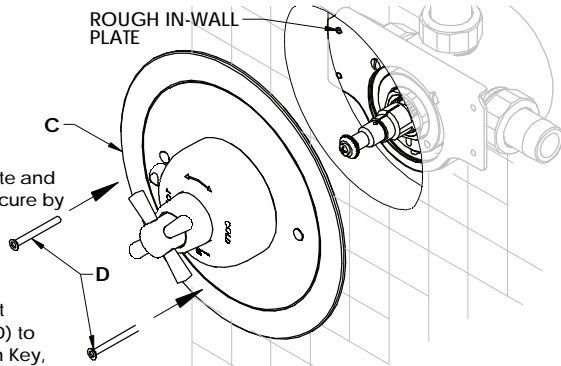


### 3 INSTALL TRIM

- When finished tiling the wall, remove the plaster guard (A) by removing x2 screws, and turn off water supply.
- Fit fixing plate onto in-wall rough.
- Ensure the 2 alignment ID marks on both Splined Spindle and Valve Cartridge are aligned with each other before you attempt to place the Trim in position (see diagram B).



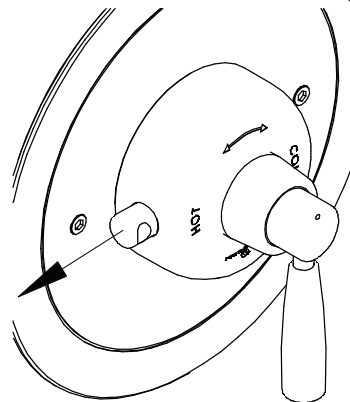
- Align holes on face plate with rough in-wall plate and push on Trim assembly (C), ensuring the fit is secure by rotating the Lever against the override stop.



- Once the Trim assembly is mounted into correct aligned position, use Face Plate fixing screws (D) to secure face plate to tiled wall. Use a 2.5AF Allen Key, taking care not to damage finish.

### OPERATION

- The temperature is adjusted by rotating the Lever/X-Top either left or right.
- Rotate the separate flow control lever anti-clockwise a quarter turn to activate the shower flow.
- The thermostatic cartridge has been set to give a temperature of 100°F (38°C), this is when the temperature control lever is in the vertical position.
- A hotter shower can be achieved by pulling out the temperature override mechanism (see diagram) and rotating the lever anti-clockwise, up to 118°F (48°C).
- **Anti-Scald:** The Thermo cartridge will automatically shut down completely on failure of either the hot or cold supply. This is to safe guard children or the elderly. Cartridge will reactivate when failure has been corrected.



### ROHL WARRANTY POLICY

All products supplied by ROHL carry warranties against manufacturing defects.

Perrin & Rowe products carry a Limited Lifetime Warranty.

ROHL LLC will provide free of charge, as its options, replacement part(s) or product (or a comparable alternative product) to replace those which have proven defective in materials or workmanship.

For full ROHL LLC WARRANTY please contact ROHL or visit [www.rohlhome.com](http://www.rohlhome.com)

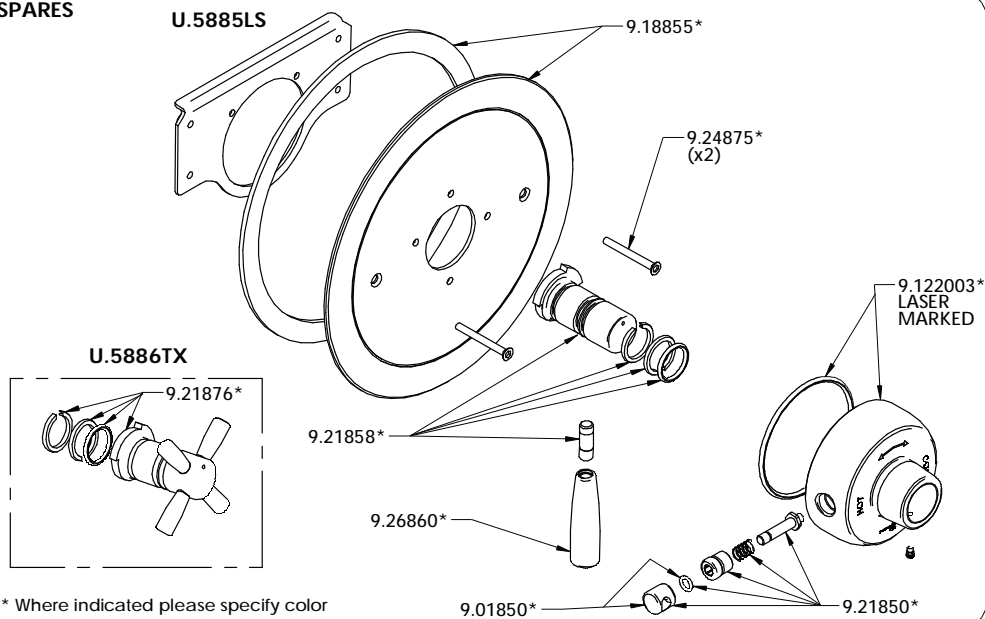
### CARE & MAINTENANCE

Wipe down after use to avoid water spotting and mineral build up.

Occasional cleaning with warm soapy water, followed by a polish with a soft cloth is all that is required to keep the plated finish in good condition.

**Do not use proprietary abrasive liquids, powders, or pads to clean the shower mixer. Do not use any products with ammonia bleach or limescale remover. You will damage the plated finish and void your guarantee.**

### SPARES



### SPARE PARTS & SERVICE

**ROHL**  
Authentic Luxury for Kitchen and Bath™

3 Parker  
Irvine  
CA 92618  
(714) 557-1933

[www.rohlhome.com](http://www.rohlhome.com)

Perrin & Rowe products are manufactured in the UK, using the latest technology and built to the highest quality standards.

We would like to thank you for purchasing a Perrin & Rowe product and take this opportunity to invite you to look at other luxury products by us. Please contact us to receive our latest catalogue.