



24" SIGNATURE SERIES
Beverage Dispenser



ecofriendly
R600a Refrigerant



JOB	
AREA	
ITEM NO.	
MODEL NO.	



Solid Door Model



**650SS Forward Sealing
Flow Control Beer Faucet**

Available with 1 or 2 faucets
(2 faucet shown)

MODELS	DESCRIPTION
HP24TS-4-1L/R-1	Indoor Signature Series Beverage Dispenser Solid Stainless Steel Door 1 Faucet
HP24TS-4-2L/R-1	Indoor Signature Series Beverage Dispenser Solid Panel Ready Door 1 Faucet
HP24TS-4-1L/R-2	Indoor Signature Series Beverage Dispenser Solid Stainless Steel Door 2 Faucets
HP24TS-4-2L/R-2	Indoor Signature Series Beverage Dispenser Solid Panel Ready Door 2 Faucets
HP24TO-4-1L/R-1	Outdoor Signature Series Beverage Dispenser Solid Stainless Steel Door 1 Faucet
HP24TO-4-2L/R-1	Outdoor Signature Series Beverage Dispenser Solid Panel Ready Door 1 Faucet
HP24TO-4-1L/R-2	Outdoor Signature Series Beverage Dispenser Solid Stainless Steel Door 2 Faucets
HP24TO-4-2L/R-2	Outdoor Signature Series Beverage Dispenser Solid Panel Ready Door 2 Faucets

KEY PRODUCT FEATURES AND BENEFITS

- 1000 BTU/hr capacity delivers industry's most energy efficient cool down; indoors or outdoors
- Up to 70% faster cooling speeds than leading competitor
- Variable speed compressor minimizes sound; up to 30% quieter than competitors
- Commercial-grade all stainless steel interior and exterior provide superior durability and easy cleaning
- Perlick Anti-Condensation System™ eliminates condensation from forming on the cabinet (outdoor models only)

Quick Features:

- Forced air refrigeration technology ensures consistent temperature throughout entire keg, maintaining flavor better than other brands
- Industry's best full 6 year warranty for owner ease of mind
- Available with stainless steel or panel ready doors to match your design style
- Audible door alarm warns user if door is held open
- White LED task lighting
- R600a Natural Refrigerant offers maximum energy efficiency with zero ozone depletion potential
- Accommodates two (2) 1/6 barrels or one (1) 1/4 slim or standard barrel



**One 1/4 barrel
(standard or slim)**



Two 1/6 barrel



24" SIGNATURE SERIES
Beverage Dispenser

MODEL NUMBERS		HP24TS	HP24TO
MODEL DESCRIPTION		24" Indoor Beverage Dispenser - Draft Arm Tower	24" Outdoor Beverage Dispenser - Draft Arm Tower
ATTRIBUTES			
Perlick Anti-Condensation System		NO	YES
Energy Star Certified		YES	YES
OVERALL DIMENSIONS	Width - in. (mm)	23-7/8" (606 mm.)	23-7/8" (606 mm.)
	Depth - in. (mm)	24" (610 mm.)	24" (610 mm.)
	Height - in. (mm)	34-1/4" (870 mm.)	34-1/4" (870 mm.)
OPENING DIMENSIONS	Width - in. (mm)	24" (610 mm.)	24" (610 mm.)
	Depth - in. (mm)	24-7/8" (632 mm.)	24-7/8" (632 mm.)
	Height - in. (mm)	34-1/2" (876 mm.)	34-1/2" (876 mm.)
INTERNAL VOLUME Net. Cu. Ft.		5.2 cu. ft.	5.2 cu. ft.
SHIPPING WEIGHT Lbs. (kg.)		222 lbs (100.7 kg.)	222 lbs (100.7 kg.)
ELECTRICAL SPECIFICATIONS	Electrical Supply	115 VAC/60 Hz/1 Ph	115 VAC/60 Hz/1 Ph
	Running Load Amps	2.2 amps	2.2 amps
	Electrical Connection	Cord connected	Cord connected
	Cord Plug Type	NEMA 3 Prong 5-15P	NEMA 3 Prong 5-15P
	Cord Length	6'	6'
	Defrost Initiation	Automatic	Automatic
	Defrost Type	Off cycle	Off cycle
	Thermostat	Digital	Digital
REFRIGERATION SPECIFICATIONS	Lighting Type	LED	LED
	Refrigerant	R600a (50g)	R600a (50g)
	Expansion Device	Capillary Tube	Capillary Tube
	Temperature Settings F°(C°)	33° (0.5°) - 48° (8.8°) Factory Set Point 36° (2.2°)	33° (0.5°) - 48° (8.8°) Factory Set Point 36° (2.2°)
	Heat Rejection (at 75°F)	450 BTU/hr	450 BTU/hr
	Pull Down Capacity	1000 BTU/hr	1000 BTU/hr
PLUMBING		None Required	None Required
Front Vented		Yes	Yes

Installation Notes: To achieve 24" install depth, place electrical connection adjacent to the installation cavity.

ACCESSORIES

MODEL NOS.	DESCRIPTION
(L)	Factory Installed Lock
66736	Caster Kit for HP24/HC24/HA24 models
63797	Beer Dispenser Cleaning Kit
40030S	Keg Coupler, Lo-Boy "S" Series
67141-1	Perlick Faucet Handle
BLC4/32	Beer Dispenser Sanitizer (4 oz. or 32 oz.)

Perlick accessories are available for purchase through an authorized Perlick dealer. For a full list of accessories and to find a dealer near you, visit perlick.com.

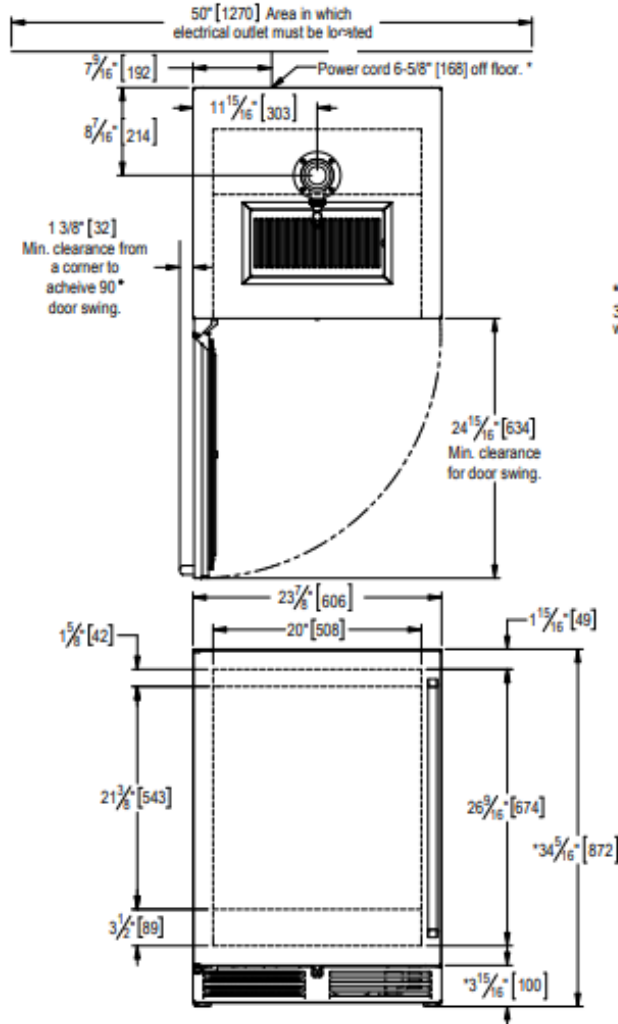


24" SIGNATURE SERIES
Beverage Dispenser

CUSTOMER MODEL NUMBER	REGULATORY MODEL NUMBER	Hinge Side	Lock
HP24TS-4-1L-1	HP24TS4C-B0-SLF0T	Left	No
HP24TS-4-1R-1	HP24TS4C-B0-SRF0T	Right	No
HP24TS-4-2L-1	HP24TS4C-B0-PL00T	Left	No
HP24TS-4-2R-1	HP24TS4C-B0-PR00T	Right	No
HP24TS-4-1L-2	HP24TS4C-C0-SLF0T	Left	No
HP24TS-4-1R-2	HP24TS4C-C0-SRF0T	Right	No
HP24TS-4-2L-2	HP24TS4C-C0-PL00T	Left	No
HP24TS-4-2R-2	HP24TS4C-C0-PR00T	Right	No
HP24TS-4-1LL-1	HP24TS4C-B0-SLFLT	Left	Yes
HP24TS-4-1RL-1	HP24TS4C-B0-SRFLT	Right	Yes
HP24TS-4-2LL-1	HP24TS4C-B0-PL0LT	Left	Yes
HP24TS-4-2RL-1	HP24TS4C-B0-PR0LT	Right	Yes
HP24TS-4-1LL-2	HP24TS4C-C0-SLFLT	Left	Yes
HP24TS-4-1RL-2	HP24TS4C-C0-SRFLT	Right	Yes
HP24TS-4-2LL-2	HP24TS4C-C0-PL0LT	Left	Yes
HP24TS-4-2RL-2	HP24TS4C-C0-PR0LT	Right	Yes
HP24TO-4-1L-1	HP24TO4C-B0-SLF0T	Left	No
HP24TO-4-1R-1	HP24TO4C-B0-SRF0T	Right	No
HP24TO-4-2L-1	HP24TO4C-B0-PL00T	Left	No
HP24TO-4-2R-1	HP24TO4C-B0-PR00T	Right	No
HP24TO-4-1L-2	HP24TO4C-C0-SLF0T	Left	No
HP24TO-4-1R-2	HP24TO4C-C0-SRF0T	Right	No
HP24TO-4-2L-2	HP24TO4C-C0-PL00T	Left	No
HP24TO-4-2R-2	HP24TO4C-C0-PR00T	Right	No
HP24TO-4-1LL-1	HP24TO4C-B0-SLFLT	Left	Yes
HP24TO-4-1RL-1	HP24TO4C-B0-SRFLT	Right	Yes
HP24TO-4-2LL-1	HP24TO4C-B0-PL0LT	Left	Yes
HP24TO-4-2RL-1	HP24TO4C-B0-PR0LT	Right	Yes
HP24TO-4-1LL-2	HP24TO4C-C0-SLFLT	Left	Yes
HP24TO-4-1RL-2	HP24TO4C-C0-SRFLT	Right	Yes
HP24TO-4-2LL-2	HP24TO4C-C0-PL0LT	Left	Yes
HP24TO-4-2RL-2	HP24TO4C-C0-PR0LT	Right	Yes



24" SIGNATURE SERIES
Beverage Dispenser



* - Leg levelers can add 3/4" [19] to these dimensions when fully extended.

