

24" SIGNATURE SERIES ADARA BEER DISPENSER



QUALITY & INNOVATION
THAT **INSPIRES**

HP24TS-3-1A**

24" INDOOR MODEL, 1 FAUCET

HP24TS-3-2A**

24" INDOOR MODEL, 2 FAUCET



Solid Door Model



Available with 1 or 2 faucets (2 faucet model shown)

GENERAL SIGNATURE SERIES FEATURES

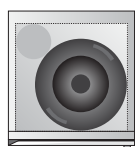
- Zero-clearance hinging allows for abutment with surrounding cabinetry
- Perlick's exclusive commercial-grade 995 Btu variable speed compressor
- Robust front-vented, RAPIDcool forced-air refrigeration system
- Commercial-grade stainless steel interior and exterior
- State-of-the-art digital control module
- Optional door locks (factory installed)
- Also available - 24" Refrigerator, Freezer, Beverage Center, Wine Reserve and Beer Dispenser
- 5.2 cubic feet of capacity
- Industry Best Three Year Warranty plus additional three years on sealed system

HP24TS-3-***A FEATURES

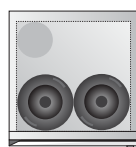
- Available with solid stainless steel door or solid wood overlay door
- Stores (1) 1/4 barrel or (2) 1/6 barrels
- Complete, self-contained beer system
- Portable drainer; no plumbing required
- 1- or 2-faucet Adara tapping kit
- Low profile coupler for "D" system keg valves included
- Beer Dispenser temperature 33°- 42°F

ADARA TOWER FEATURES

- Sleek European design with soft, curved silhouette
- Chrome tower with matching chrome handle(s) creates a bright and modern monochromatic look
- Comes standard with Perlick's award-winning 650SS Flow Control Beer Faucet(s)
- Tower is air-cooled for consistent temperature from keg to tap
- Available in 1- or 2-faucet models



(1) 1/4 barrel



(2) 1/6 barrels

Form No.HP24T-3A
Rev. 09.06.2017

PRODUCT SPECIFICATIONS

Overall Width	23-7/8" (60.64 cm.)
Overall Height	34-1/4" (86.96 cm.)
Overall Depth	24" (60.96 cm.)
Opening Width	24" (60.96 cm.)
Opening Height	34-3/8" (87.31 cm.)
Opening Depth	24" (60.96 cm.)
Refrigerated Volume	5.2 cu. ft.
Door Swing Clearance	25" (63.5 cm.) minimum
Electrical	115V, 60Hz, 1 Phase, 2.3 amps
Plumbing	None Required
Annual Energy Usage	290 kWh/yr
Shipping Weight	222 lbs (100.7 kg.)

ADARA INDOOR MODELS

SINGLE FAUCET MODELS

HP24TS-3-1L1A Solid stainless steel door, hinge left*

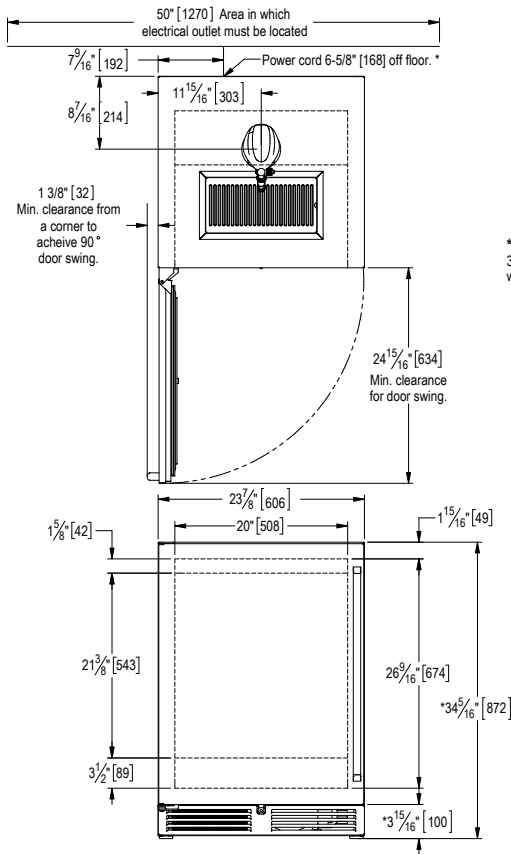
HP24TS-3-2L1A Solid wood overlay door, hinge left*

TWO FAUCET MODELS

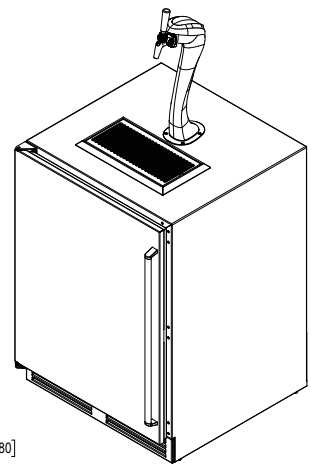
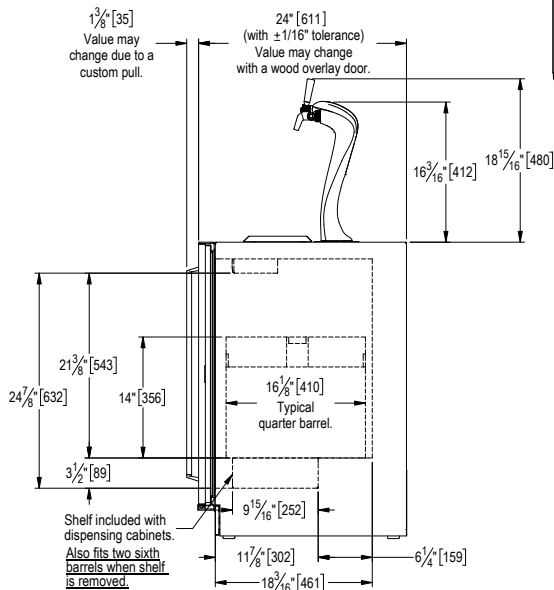
HP24TS-3-1L2A Solid stainless steel door, hinge left*

HP24TS-3-2L2A Solid wood overlay door, hinge left*

* Also available hinge right



* - Leg levelers can add 3/4" [19] to these dimensions when fully extended.



Form No.HP24T-3A
Rev. 09.06.2017