

24" SIGNATURE SERIES DUAL-ZONE REFRIGERATOR / WINE RESERVE

HP24CS-3
HP24CO-3

24" INDOOR MODEL

24" OUTDOOR MODEL

Perlick[®]
QUALITY & INNOVATION
THAT **INSPIRES**



Glass Door Model



Solid Door Model



GENERAL SIGNATURE SERIES FEATURES

- Zero-clearance hinging allows for abutment with surrounding cabinetry
- Perlick's exclusive commercial-grade 995 Btu variable speed compressor
- Front-vented, RAPIDcool forced-air refrigeration system
- Commercial-grade stainless steel interior and exterior
- **Industry Exclusive** convertible door design allows all doors the ability to be converted to wood overlay from stainless steel
- **Industry Exclusive** adjustable, full-extension pull-out shelves (drawer models and beer dispenser excluded)
- Stainless-steel ball-bearing glides provide smooth movement of shelves
- Adjustable Crisp White and Cool Blue LED light options
- Low E, UV-coated glass provides industry leading insulation and protection.
- State-of-the-art digital control module
- Optional door locks and Industry-Exclusive drawer locks (factory installed)
- Stacking kit available
- Indoor and outdoor models available
- 5.0 cubic feet of capacity
- Industry Best Three Year Warranty plus additional three years on sealed system

HP24CS-3/CO-3 FEATURES

- Available with solid stainless steel door, solid wood overlay door, stainless steel glass door or wood overlay glass door
- Includes two (2) full-extension pull-out wine shelves and one (1) full-extension pull-out shelf
- Wine shelves feature stainless steel fronts
- Product capacity is 14 wine bottles and 41 cans (12 oz.)
- Refrigerator temperature 33°- 42°F
- Wine Reserve temperature 45°- 65°F

Form No.HP24C-3
Rev. 12.17.2015

PRODUCT SPECIFICATIONS

| | |
|-----------------------------|-------------------------------|
| Overall Width | 23-7/8" (60.64 cm.) |
| Overall Height | 34-1/4" (86.96 cm.) |
| Overall Depth | 24" (60.96 cm.) |
| Opening Width | 24" (60.96 cm.) |
| Opening Height | 34-3/8" (87.31 cm.) |
| Opening Depth | 24" (60.96 cm.) |
| Refrigerated Volume | 5.0 cu. ft. |
| Door Swing Clearance | 25" (63.5 cm.) minimum |
| Electrical | 115V, 60Hz, 1 Phase, 2.3 amps |
| Plumbing | None Required |
| Annual Energy Usage | 295 kWh/yr |
| Shipping Weight | 203 lbs (92.08 kg.) |

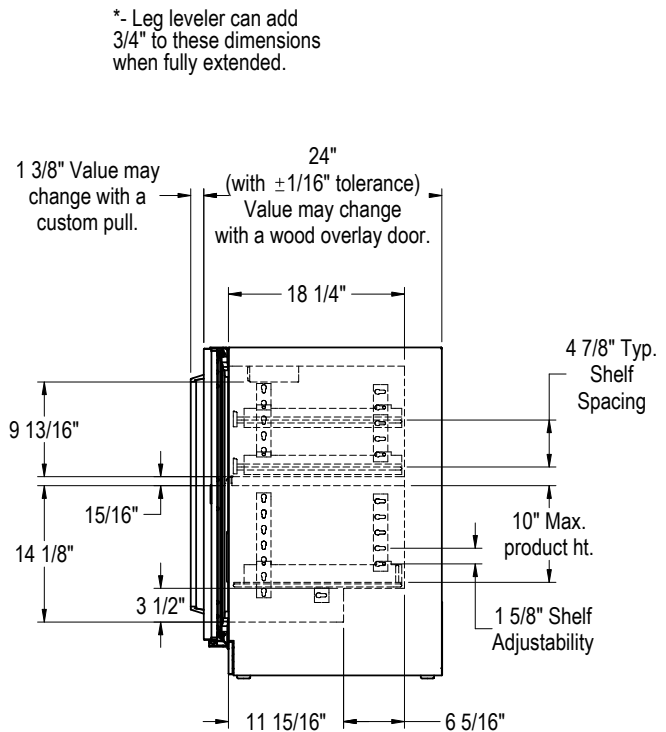
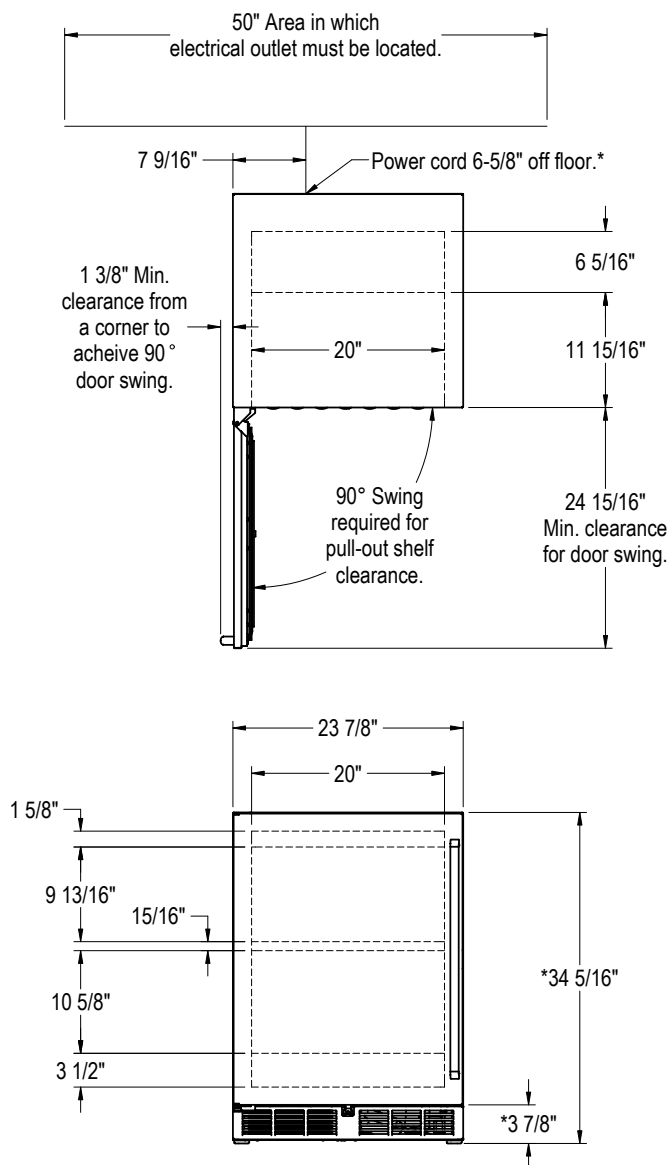
INDOOR MODELS

| | |
|---------------------|--|
| HP24CS-3-1L* | Solid stainless steel door, hinge left |
| HP24CS-3-2L* | Solid wood overlay door, hinge left |
| HP24CS-3-3L* | Stainless steel glass door, hinge left |
| HP24CS-3-4L* | Wood overlay glass door, hinge left |

OUTDOOR MODELS

| | |
|---------------------|--|
| HP24CO-3-1L* | Solid stainless steel door, hinge left |
| HP24CO-3-2L* | Solid wood overlay door, hinge left |
| HP24CO-3-3L* | Stainless steel glass door, hinge left |
| HP24CO-3-4L* | Wood overlay glass door, hinge left |

* Also available hinge right



Form No. HP24C-3
Rev. 12.17.2015