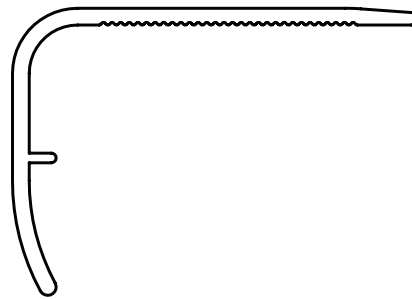




The Performance Accessories Vinyl Flush Mount Stair nose is a moisture proof molding that is suitable to finish step downs and stair installations of luxury vinyl flooring. The Performance Accessories Vinyl Flush Mount Stair nose is designed for versatility and beauty. One molding can accommodate a wide range of floor thicknesses, from 2mm up to 7.5mm in thickness. The width of the stair nose provides a more polished finished stair tread than other products. The longer length will accommodate more stairs and can be used on bull-nosed and squared-nosed stair installations. Just follow these simple steps.

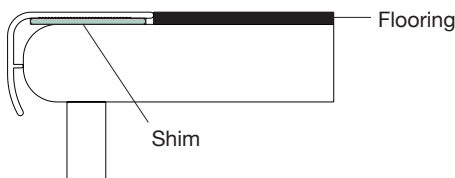
78³/₄ in · 2m



1. Measure and trim to fit

- For flush installation, install matching shim to the edge of the stair tread
- A shim is not required for overlap installation

Flush Mount with Shim



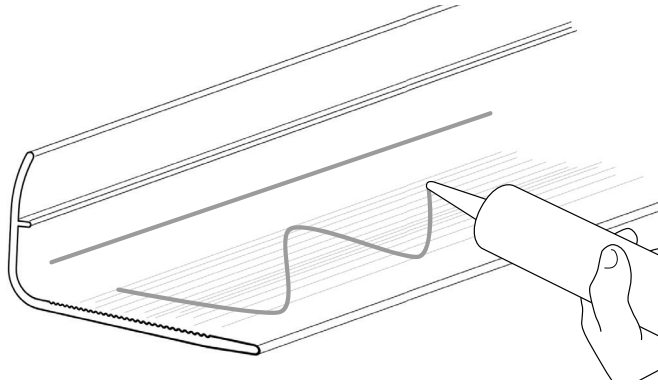
Overlap without Shim





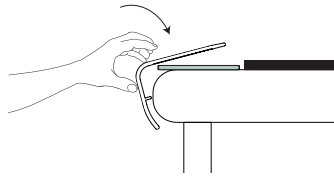
2. Apply polyurethane adhesive to underside

- “S” shaped bead on ribbed surface of nosing
- Straight bead under stand-off elbow

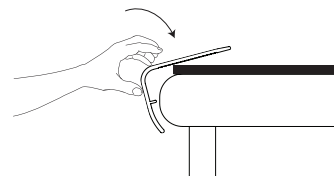


3. Carefully position the trim and press down firmly along the entire stair nose

Flush Mount with Shim



Overlap without Shim



4. Let adhesive cure for at least 4 hours before walking on it. Wait 24-48 hours for full traffic exposure