

Trim:

PTT188730

Valve Only

PTT188740

Lever Handle Shower Only

PTT188750

Lever Handle Tub/Shower

STANDARD SPECIFICATIONS:

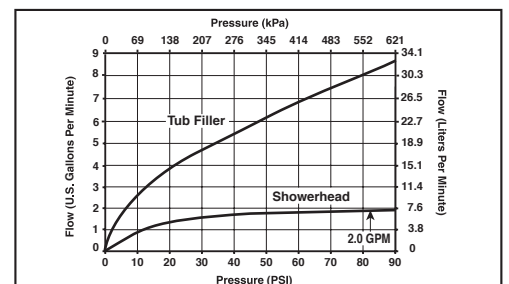
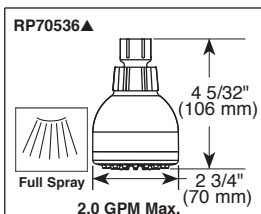
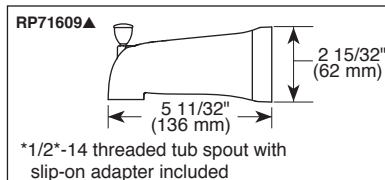
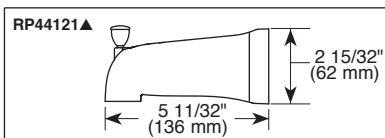
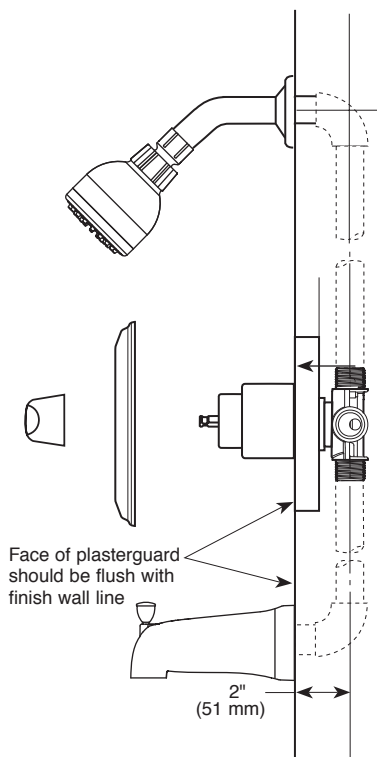
- Slip-on tub spout, model PTT188750.
- Pressure balanced bath mixing valve
- Tub/Shower. Requires 1 1/2" wall cavity.
- Back-to-back installation capability.
- Field adjustable means to limit handle rotation into hot water zone.
- Temperature control to rotate a maximum of 120° from full cold to the maximum temperature.
- Single Handle
- Temperature Only Controlled with Handle

WARRANTY

- Lifetime limited warranty on parts (other than electronic parts and batteries) and finishes; or, for commercial users, for 5 years from the date of purchase.
- 5 year limited warranty on electronic parts (other than batteries); or for commercial users, for 1 year from the date of purchase. No warranty is provided on batteries.

COMPLIES WITH:

- ASME A112.18.1 / CSA B125.1
- Indicates compliance to ICC/ANSI A117.1 - Valve control only
- ASSE 1016



▲ Designate Proper Finish Suffix