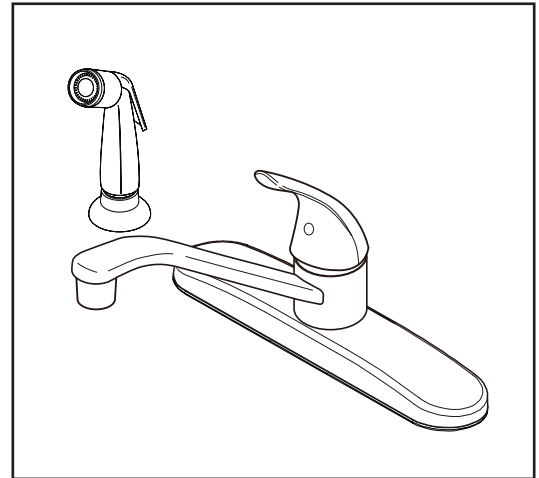
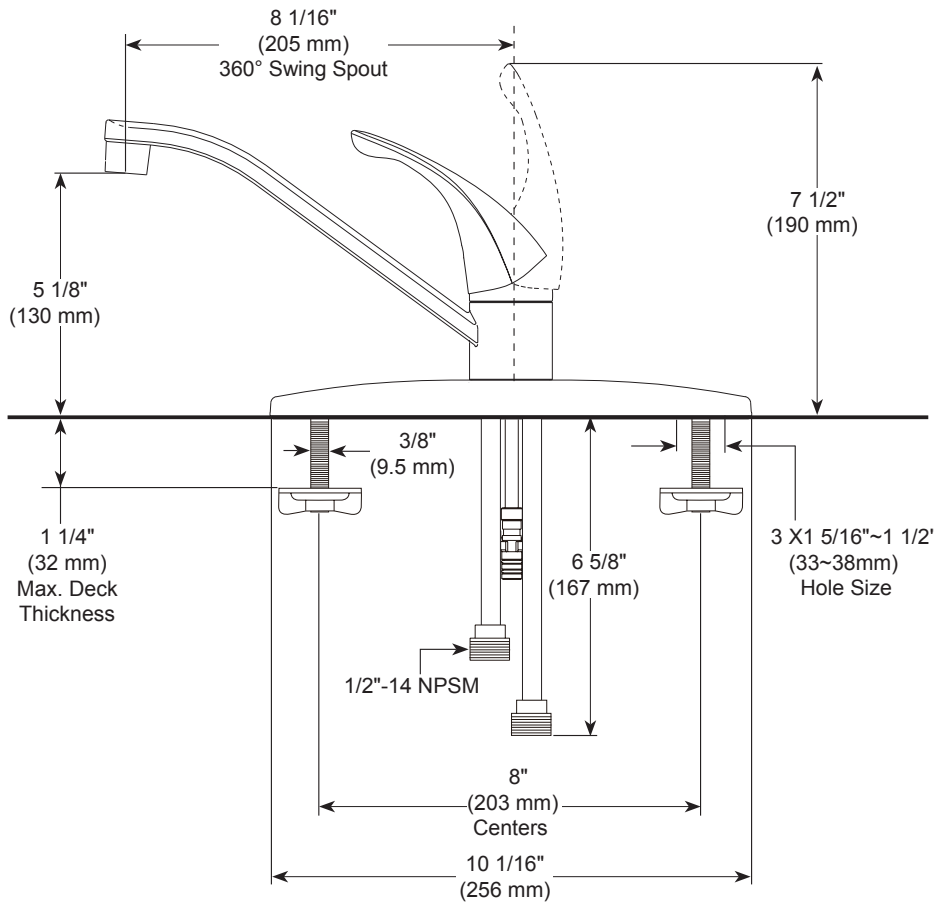


# PEERLESS®

P115LF▲  
P115LF▲-1.0



## KITCHEN FAUCETS

- Single handle dock mount
- 4 hole sink applications

### STANDARD SPECIFICATIONS:

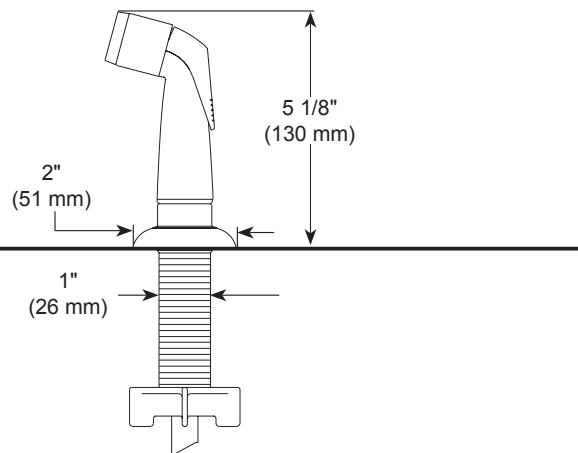
- Maximum 1.5 gpm @ 60 psi, 5.7 L/min @ 414 kPa (P115LF▲)
- Maximum 1.0 gpm @ 60 psi, 3.8 L/min @ 414 kPa (P115LF▲-1.0)
- 8" (203 mm) centerset
- Spout rotates 360°
- Replaceable rotating ball valve with replaceable non-metallic seats
- 1/2"-14 NPSM threaded male inlet adapters

### WARRANTY

- Parts and Finish - Lifetime limited warranty; or for commercial purchasers, 10 years for multi-family residential (apartments and condominiums) and 5 years for all other commercial uses, in each case from the date of purchase.

### COMPLIES WITH:

- ASME A112.18.1 / CSA B125.1
- ☐ Indicates compliance to ICC/ANSI A117.1



▲ Designate proper finish suffix