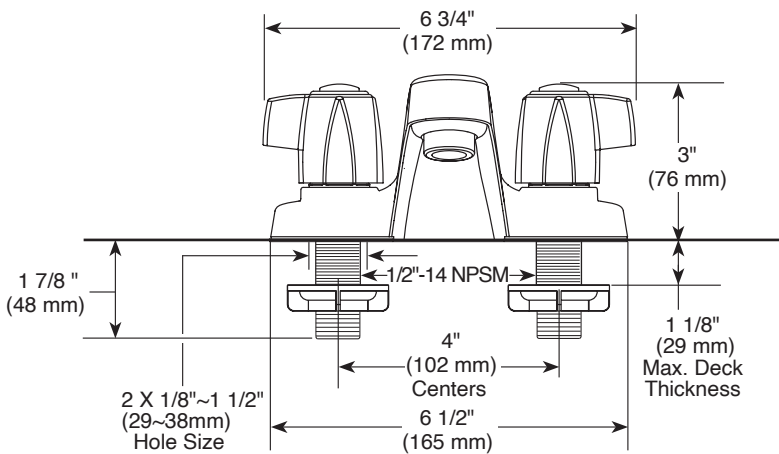


BATHROOM FAUCET:

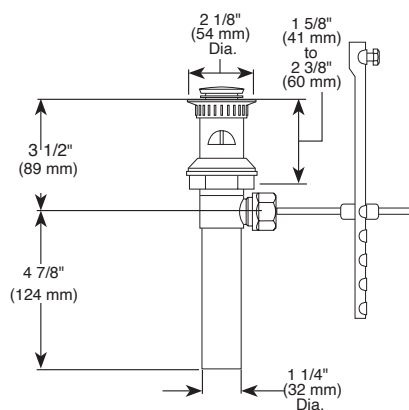
- Two Handle Deck Mount

STANDARD SPECIFICATIONS:

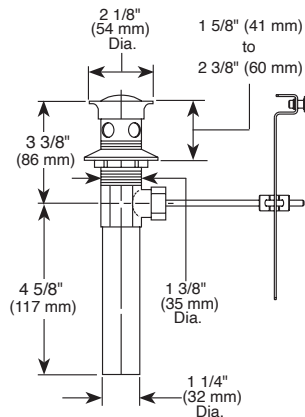
- Maximum flow rate 1.0 gpm @ 60 psi, 3.8 L/min @ 414 kPa
- Three hole mount
- The fully replaceable, washerless valve design rotates from the full-off position to the full-on position
- The valve stems on the hot and cold stems are interchangeable
- 1/2"-14 NPSM threaded male inlet shanks.
- Models with no suffix have plastic pop-up type fitting with plated flange and stopper
- Models with suffix "M" have metal drain with pop-up



RP62472▲
Plastic Pop-up



RP26533▲
Metal Pop-up



WARRANTY:

- Parts and Finish - Lifetime limited warranty; or for commercial purchasers, 10 years for multi-family residential (apartments and condominiums) and 5 years for all other commercial uses, in each case from the date of purchase.



COMPLIES WITH:

- ASME A112.18.1 / CSA B125.1
- Indicates compliance to ICC / ANSI A117.1- Valve control only
- EPA WaterSense®

▲ Designate proper finish suffix

PSP-L-P246LF Rev. I