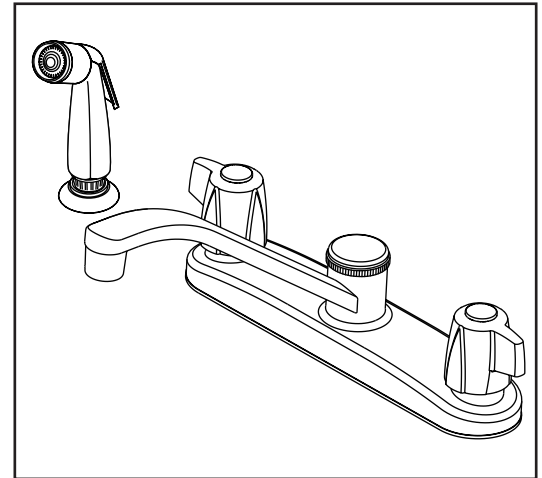
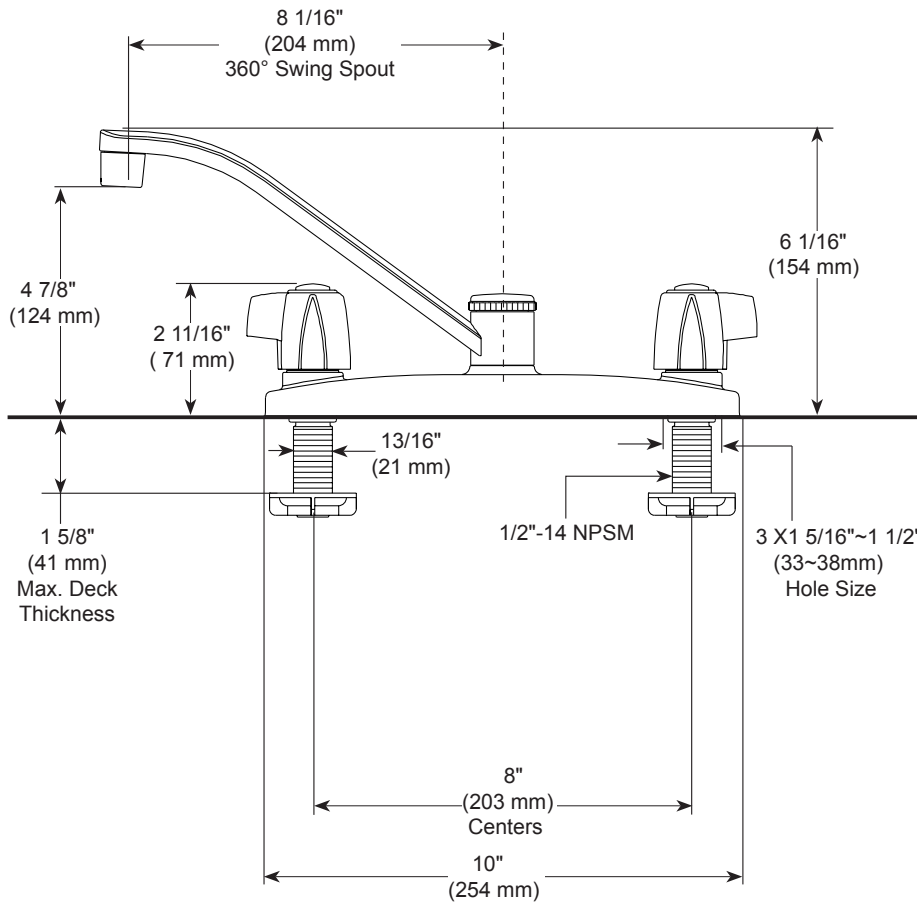


PEERLESS®

P226LF



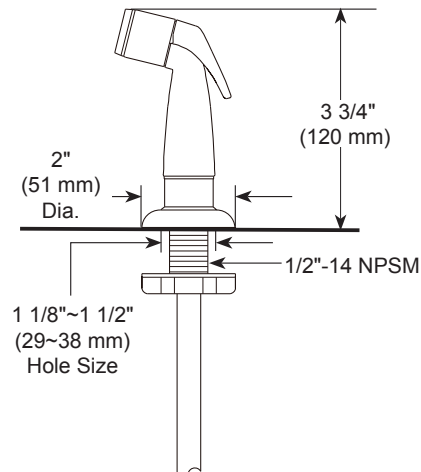
KITCHEN FAUCETS

- Two handle dock mount
- 4 hole sink applications

STANDARD SPECIFICATIONS:

- Maximum 1.5 gpm @ 60 psi, 5.7 L/min @ 414 kPa
- 8" (203 mm) centerset
- Spout rotates 360°
- The fully replaceable, washerless valve design rotates from the full-off position to the full-on position in 90°.
- The valve stems on the hot and cold stems are interchangeable.
- 1/2"-14 NPSM threaded male inlet adapters
- Model with spray attachment has anti-siphon device as integral part of valve body.

RP70236 Spray, Hose Assembly & Spray Support



WARRANTY

- Parts and Finish - Lifetime limited warranty; or for commercial purchasers, 10 years for multi-family residential (apartments and condominiums) and 5 years for all other commercial uses, in each case from the date of purchase.

COMPLIES WITH:

- ASME A112.18.1 / CSA B125.1
Indicates compliance to
- ♿ ICC/ANSI A117.1

▲ Designate proper finish suffix