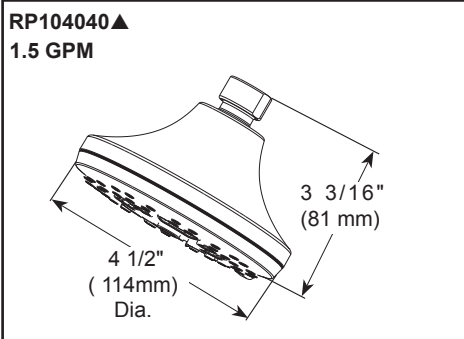
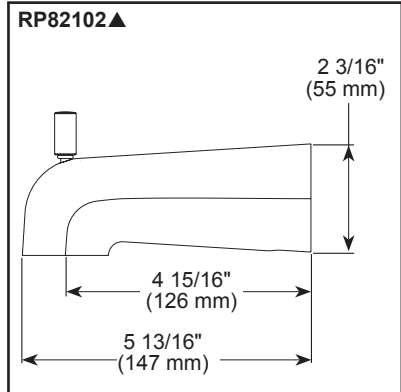
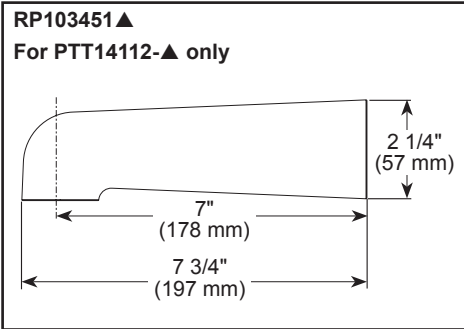
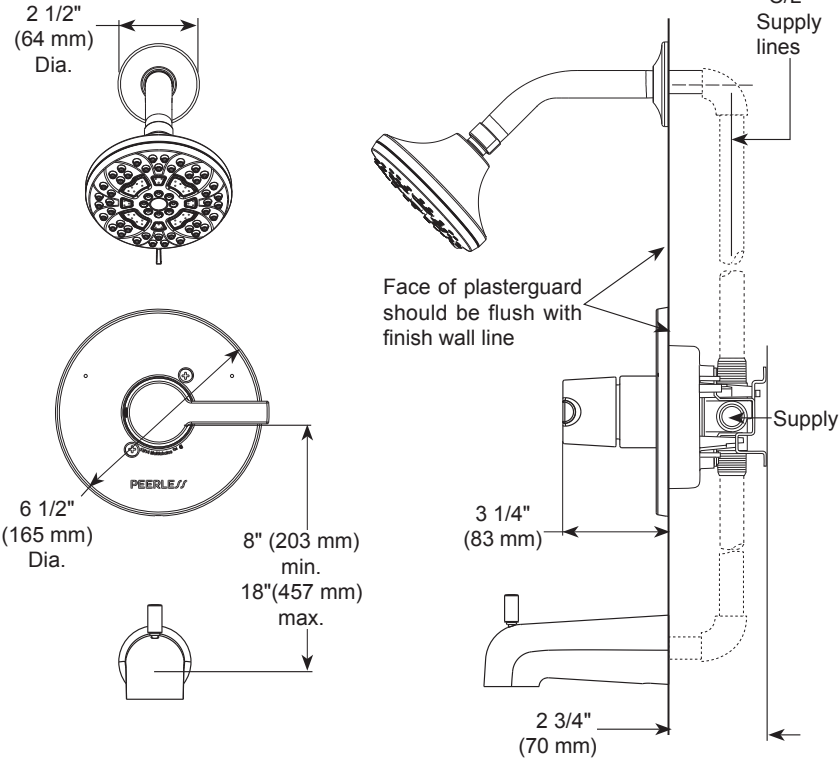
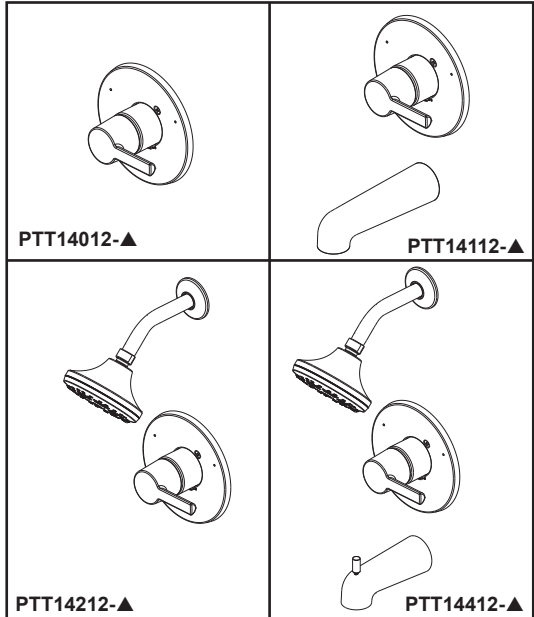


PEERLESS®



PTT14012-▲, PTT14112-▲
PTT14212-▲, PTT14412-▲



TUB AND SHOWER FAUCET TRIM

- Flute™ Collection
- Valve Only (PTT14012-▲)
- Tub Only (PTT14112-▲)
- Shower Only (PTT14212-▲)
- Tub & Shower (PTT14412-▲)

FEATURES:

- Touch-Clean® Nozzles

STANDARD SPECIFICATIONS:

- Shower head maximum flow rate is 1.5 gpm @ 80 psi, 5.7 L/min @ 550 kPa.
- Maintains a balanced pressure of hot and cold water even when a valve is turned on or off elsewhere in the system.
- For use with MultiChoice® Universal rough valve body. (R10000 Series)
- Tub/Shower. Requires 2 3/4" wall cavity.
- Back-to-back installation capability.
- Cartridge utilizes integral check valves to prevent the cross flow of water within the valve.
- Field adjustable means to limit handle rotation into hot water zone.
- Red/blue markings on escutcheon for hot/cold identification.
- Temperature only controlled with handle rotating a maximum of 120° from full cold to the full hot.
- Easy turn dial to change shower head spray settings, pause is a non-positive shut-off.
- Easy-turn 6-spray setting shower head: full body spray, massage spray, shampoo rinse spray, full spray w/ massage, shampoo rinse w/ full spray & pause.
- Slip-on tub spout.

WARRANTY

- Parts and Finish – Lifetime limited warranty; or for commercial purchasers, 10 years for multi-family residential (apartments and condominiums) and 5 years for all other commercial uses, in each case from the date that the product is received by the original purchaser or their authorized representative (installation contractor, etc.).
- Please go to www.peerlessfaucet.com for the complete details of our limited warranty.



COMPLIES WITH:

- ASME A112.18.1 / CSA B125.1
- ASSE 1016 / ASME A112.1016 / CSA B125.16
- EPA WaterSense® - Applies to PTT14212-▲ & PTT14412-▲ only
- ICC/ANSI A117.1 – Valve control only

▲ Designate Proper Finish Suffix

PSP-B-PTT14212 Rev. C