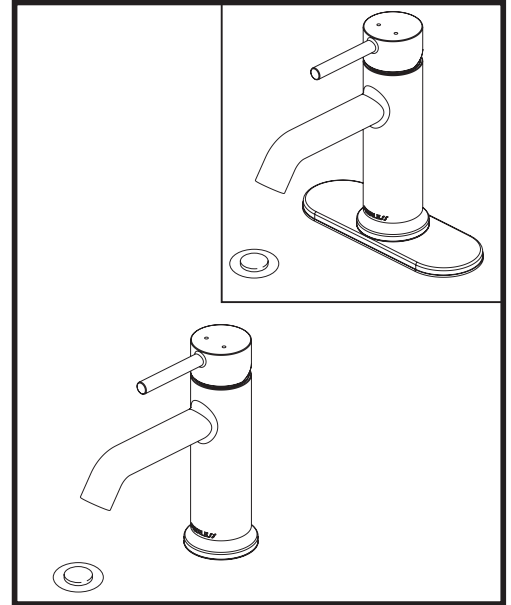
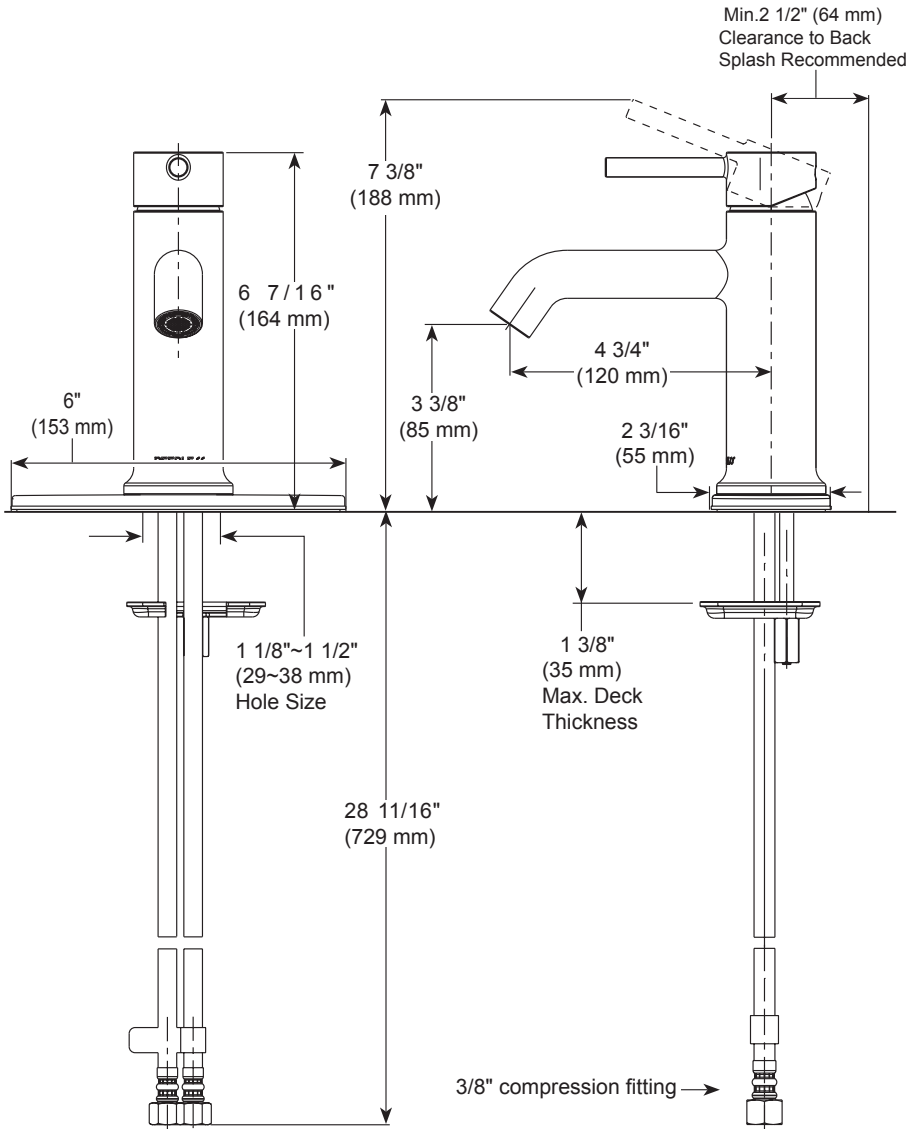


PEERLESS®

P1647LF▲
P1647LF▲-M-0.5



BATHROOM FAUCET:

- Precept® Collection
- Single Handle Deck Mount
- 1 or 3 Hole Sink Applications

STANDARD SPECIFICATIONS:

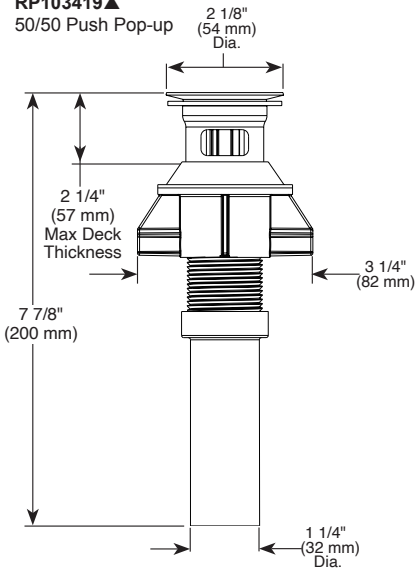
- Maximum 1.0 gpm @ 60 psi, 3.8 L/min @ 414 kPa (P1647LF▲)
- Maximum 0.5 gpm @ 60 psi, 1.9 L/min @ 414 kPa (P1647LF▲-M-0.5)
- Solid metal casted body
- One or three hole mount (escutcheon optional, included)
- Ceramic cartridge
- Red/Blue indicator markings
- Polymer braided flexible supply hose with 3/8" compression fitting - 28 11/16" (729mm) long
- Models have 50/50 push pop-up
- Models with suffix "M" have metal push pop-up

WARRANTY:

- Parts and Finish – Lifetime limited warranty; or for commercial purchasers, 10 years for multi-family residential (apartments and condominiums) and 5 years for all other commercial uses, in each case from the date that the product is received by the original purchaser or their authorized representative (installation contractor, etc.).

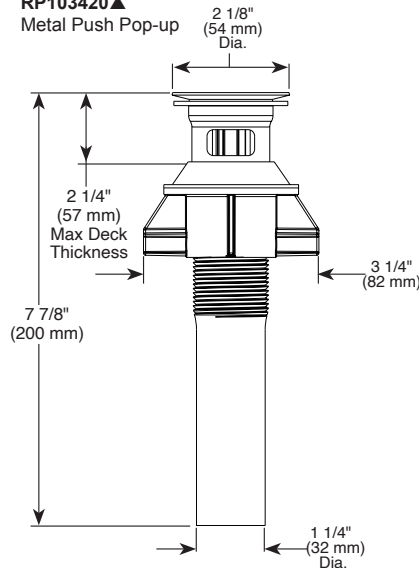
RP103419▲

50/50 Push Pop-up



RP103420▲

Metal Push Pop-up



▲ Designate proper finish suffix

PSP-L-P1647LF Rev. A



COMPLIES WITH:

- ASME A112.18.1 / CSA B125.1
- ASME A112.18.2 / CSA B125.2

♿ Indicates compliance to ICC / ANSI A117.1

- EPA WaterSense® - Applies to P1647LF▲ only