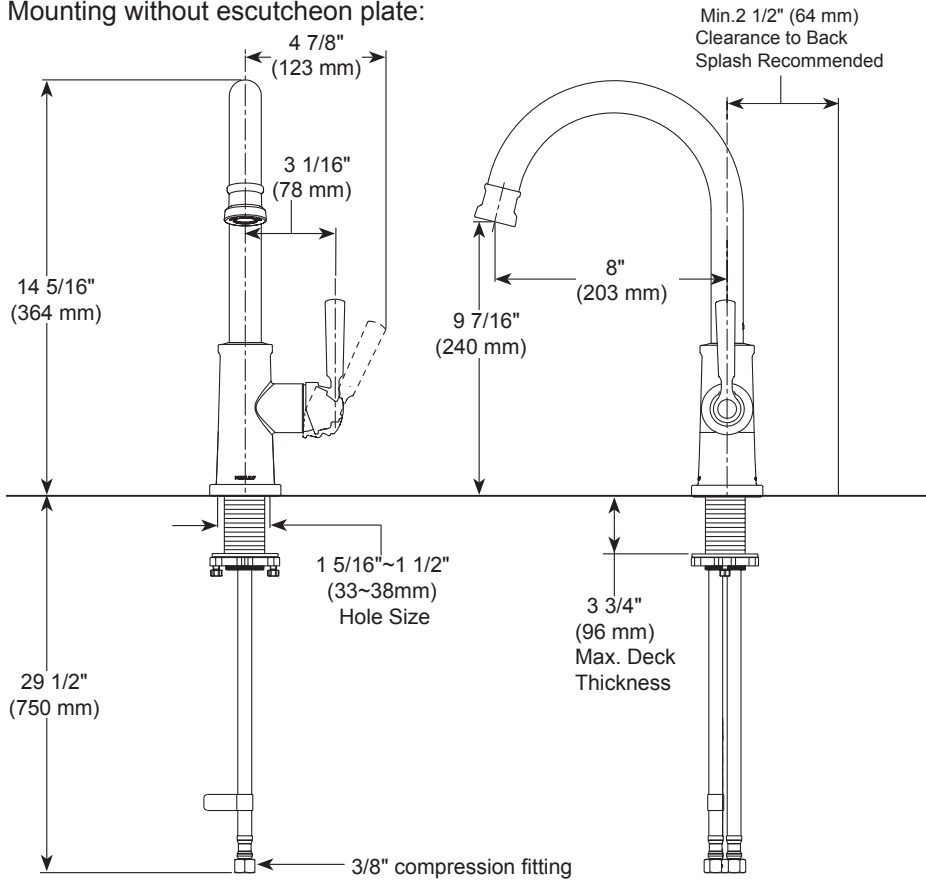


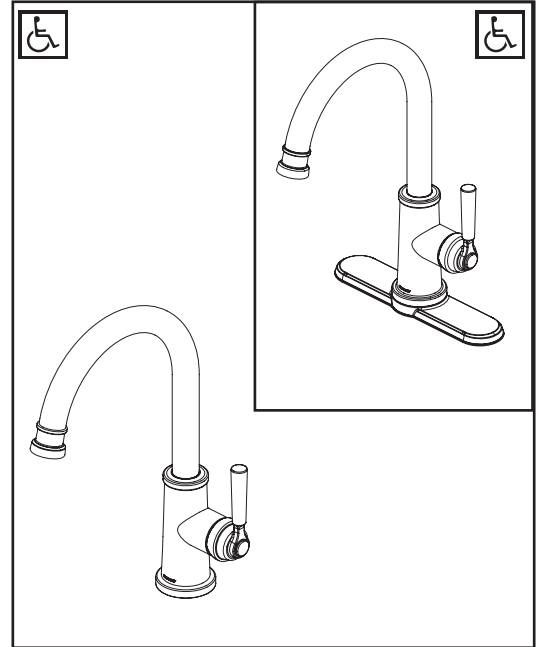
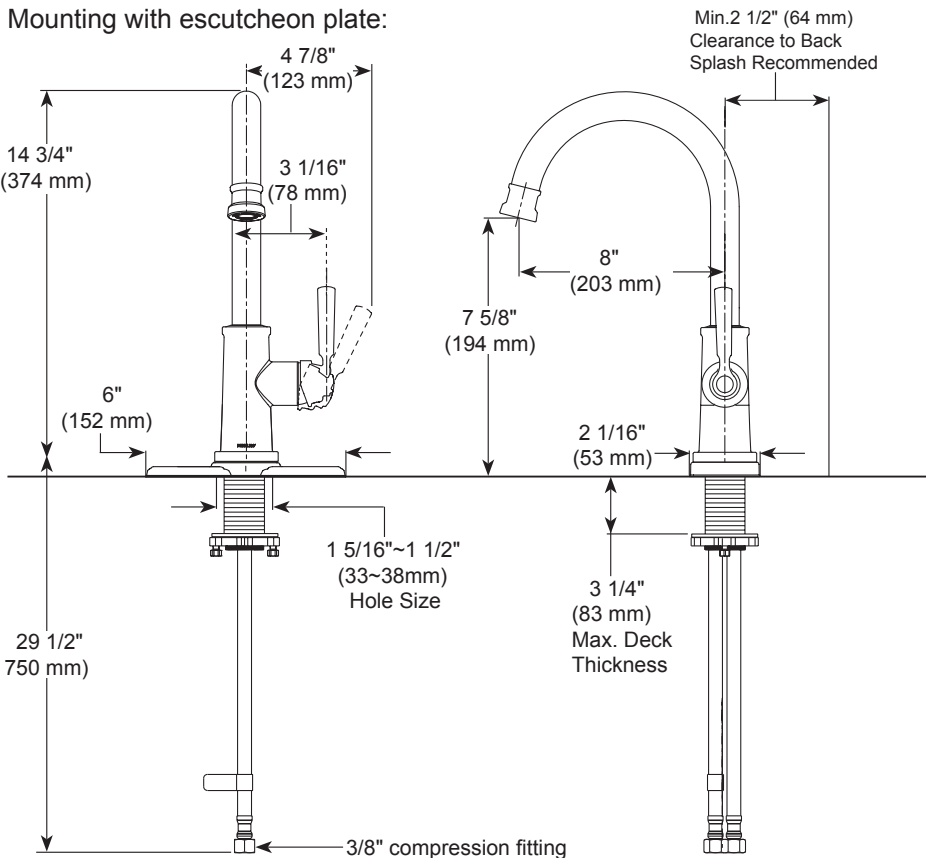
PEERLESS®

P1923LF▲

Mounting without escutcheon plate:



Mounting with escutcheon plate:



KITCHEN FAUCETS

- Single Handle Deck Mount
- 1 or 3 Hole Sink Applications

STANDARD SPECIFICATIONS:

- Maximum 1.5 gpm @ 60 psi, 5.7 L/min @ 414 kPa
- Solid brass casted body
- One or three hole mount (escutcheon optional, not included)
- Ceramic cartridge
- Spout rotates 360°
- Red/Blue indicator markings
- Polymer braided flexible supply hose with 3/8" compression fitting - 29 1/2" (750 mm) long

WARRANTY

- Lifetime limited warranty on parts (other than electronic parts and batteries) and finishes; or, for commercial users, for 5 years from the date of purchase.
- 5 year limited warranty on electronic parts (other than batteries); or for commercial users, for 1 year from the date of purchase. No warranty is provided on batteries.

COMPLIES WITH:

- ASME A112.18.1 / CSA B125.1
- Indicates compliance to ICC/ANSI A117.1

▲ Designate proper finish suffix