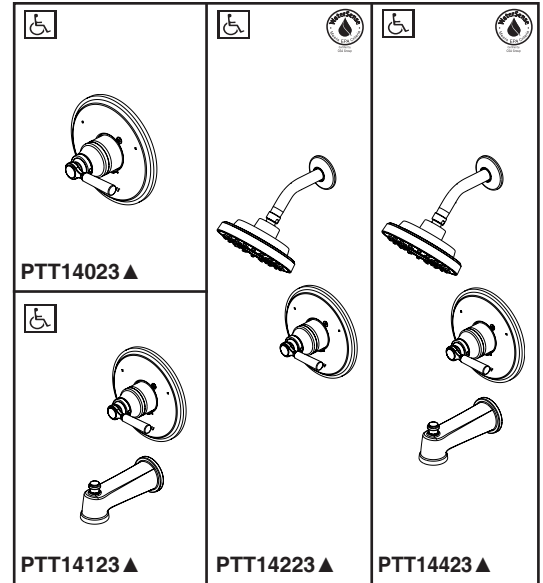
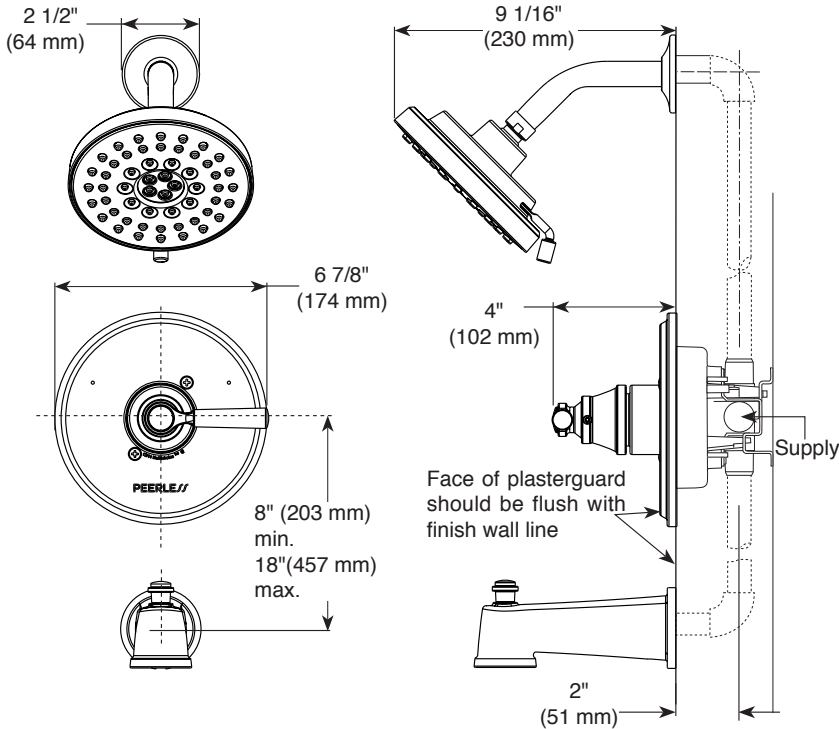


# PEERLESS®

PTT14023▲  
 PTT14123▲  
 PTT14223▲  
 PTT14423▲



## TUB AND SHOWER FAUCET TRIM

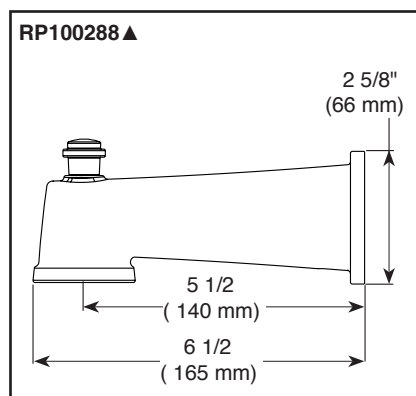
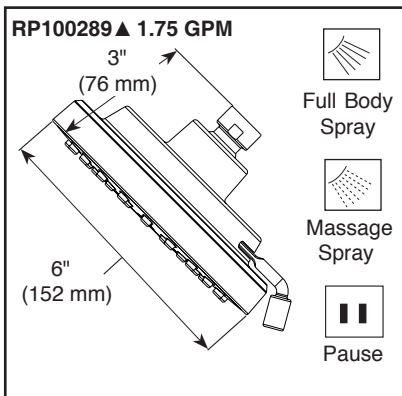
- Westchester™ Collection
- Valve Only (PTT14023▲)
- Tub Only (PTT14123▲)
- Shower Only (PTT14223▲)
- Tub/Shower (PTT14423▲)

## STANDARD SPECIFICATIONS:

- Maintains a balanced pressure of hot and cold water even when a valve is turned on or off elsewhere in the system.
- For use with MultiChoice® Universal rough valve body (R10000 Series); not included.
- Back-to-back installation capability.
- Temperature only controlled with handle rotating a maximum of 120° from full cold to the full hot.
- Cartridge utilise integral check valve to prevent the cross flow of water within the valve.
- Shower head maximum flow rate 1.75 gpm @ 80 psi, 6.6 L/min @ 550 kPa.
- Easy-turn 3-spray setting shower head.
- Slip-on tub spout.

## WARRANTY:

- Lifetime limited warranty on parts (other than electronic parts and batteries) and finishes; or, for commercial users, for 5 years from the date of purchase.
- 5 year limited warranty on electronic parts (other than batteries); or for commercial users, for 1 year from the date of purchase. No warranty is provided on batteries.



▲ Designate proper finish suffix



## COMPLIES WITH

- ASME A12.18.1 / CSA B125.1
- EPA WaterSense®



Indicates compliance to ICC/ANSI A17.1 - Valve control only