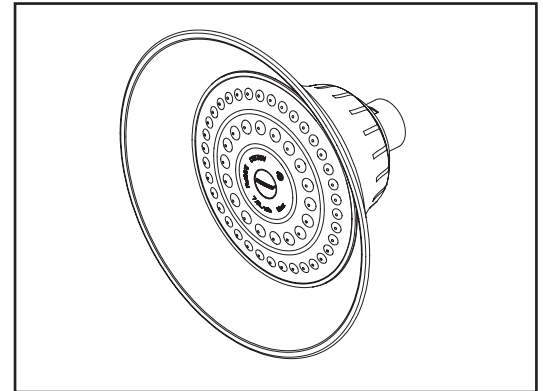


Full Body  
Spray

▲ Designate proper finish suffix



## SHOWER HEAD

### ■ 1-Spray Setting Shower Head

#### STANDARD SPECIFICATIONS:

- Maximum 1.75 gpm @ 80 psi, 6.6 L/min @ 550 kPa

#### WARRANTY:

- Parts and Finish – Lifetime limited warranty; or for commercial purchasers, 10 years for multi-family residential (apartments and condominiums) and 5 years for all other commercial uses, in each case from the date of purchase.



#### COMPLIES WITH

- ASME A112.18.1 / CSA B125.1
- EPA WaterSense®