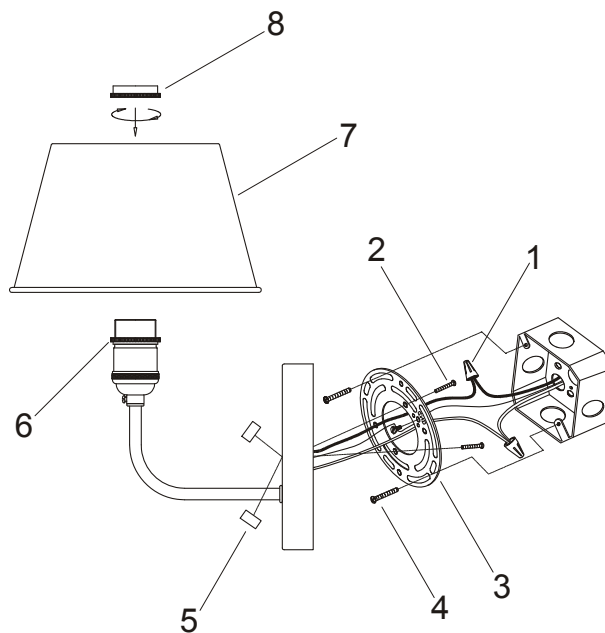
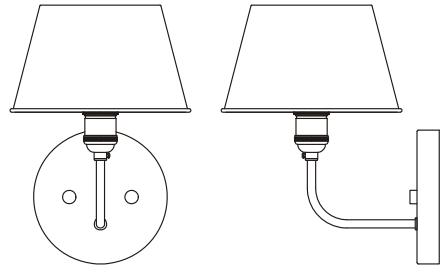


Sconce

WL3391AGBR



No.	Part Name	Spanish	French	Part No.
1	Wire connectors (2pcs)	Conector de cable (2pcs)	Capuchon de connexion (2pcs)	PHSPRHDWR37WTY
2	Screw (2pcs)	Tornillo (2pcs)	Vis (2pcs)	
3	Circular strap (1pc)	Correa circular (1pc)	Boîte à prises (1pc)	
4	Screw (2pcs)	Tornillo (2pcs)	Vis (2pcs)	
5	Finial (2pcs)	Remate (2pcs)	Faîteau (2pcs)	
6	Socket ring(1pc)	aro del enchufe(1pc)	bague de blocage(1pc)	PHSPRSOCRNG3WTY
7	Metal shade (1pc)	pantalla metálica (1pc)	l'abat-jour métallique (1pc)	PHSPRSHD13WTY
8	Socket ring(1pc)	aro del enchufe(1pc)	bague de blocage(1pc)	PHSPRSOCRNG2WTY