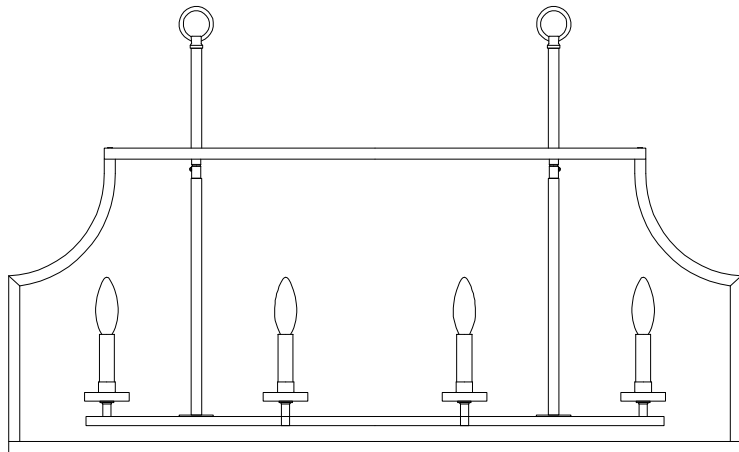


Linear Pendant



PL3326MBPN

- 6 -Light Linear Pendant in Matte Black With Polished Nickel
- No special tools needed for assembly
- Dimmable: No
- Chain Length: 84"
- Wire Length: 240"
- Certification:
 - ETL
 - Damp Rated
- Canopy dimensions: 25-5/8" x 4-3/4" x 1"
- Wattage:
 - PL3326MBPN: Uses six 60W Candelabra base lamps max

See dimensional drawing on back.

