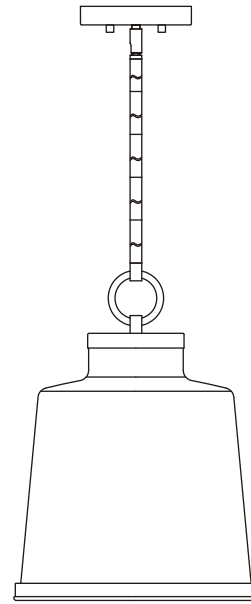


PARK HARBOR[®]

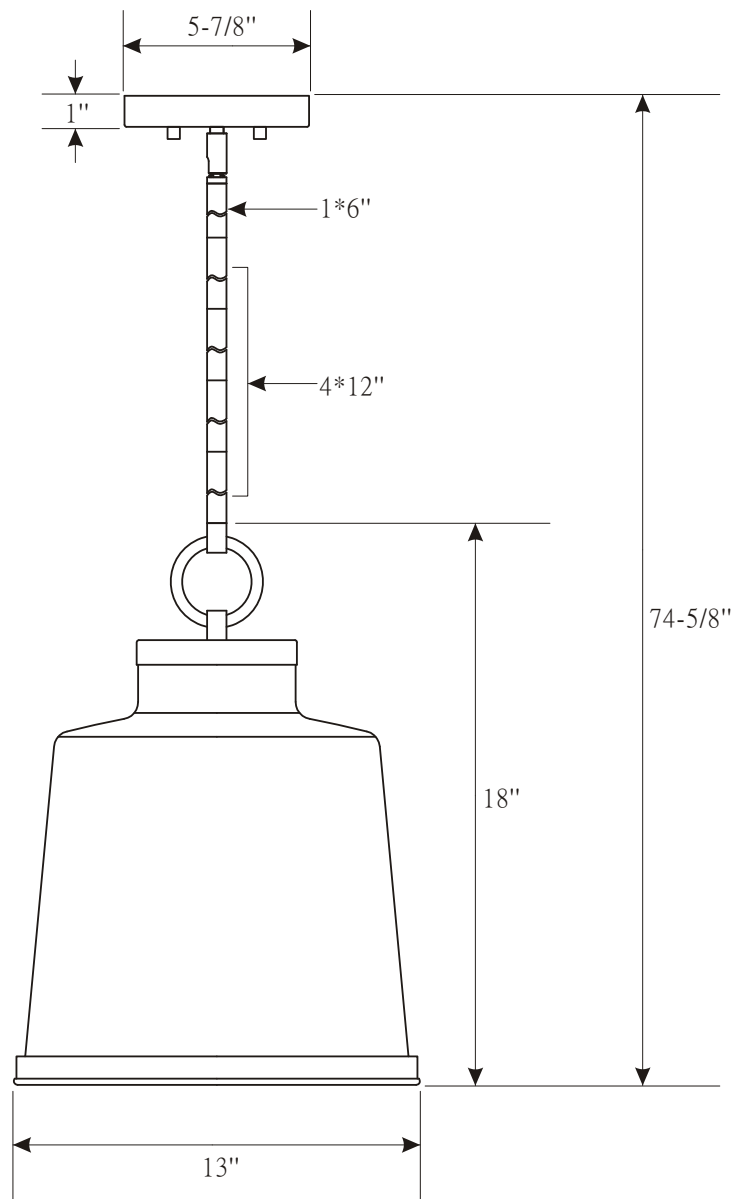
Pendant



PHPL6791MBAB

- 1 -Light Pendant in Matte Black and Antique brass
- No special tools needed for assembly
- Dimmable: No
- Stem Length: (1) 6", (4) 12"
- Wire Length: 123"
- Certification:
 - UL/CUL
 - Dry Rated
- Canopy dimensions: 5 -7/8" x1"
- Wattage:

PHPL6791MBAB: Uses one 60W Medium base lamps max



PHPL6791MBAB