

PARK HARBOR[®]

Snowden

Exterior Hanging Lantern

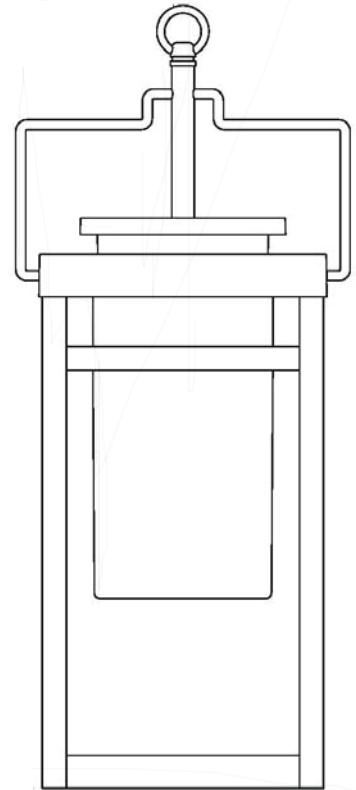
PHEL5703 BLKLED

- 1-Light Exterior Hanging Lantern in Black
- Clear Seeded Glass
- Fixture Material: Cast Aluminium
- No special tools needed for assembly
- Dimmable: No
- Color temperature:3000K
- Lumens: 880

- Chain Length: 72 inch
- Certification:
ETL
PHEL5703BLKLED: Damp Rated

- Backplate dimensions:
PHEL5703BLKLED: 4.9" x4.9" x1.5"

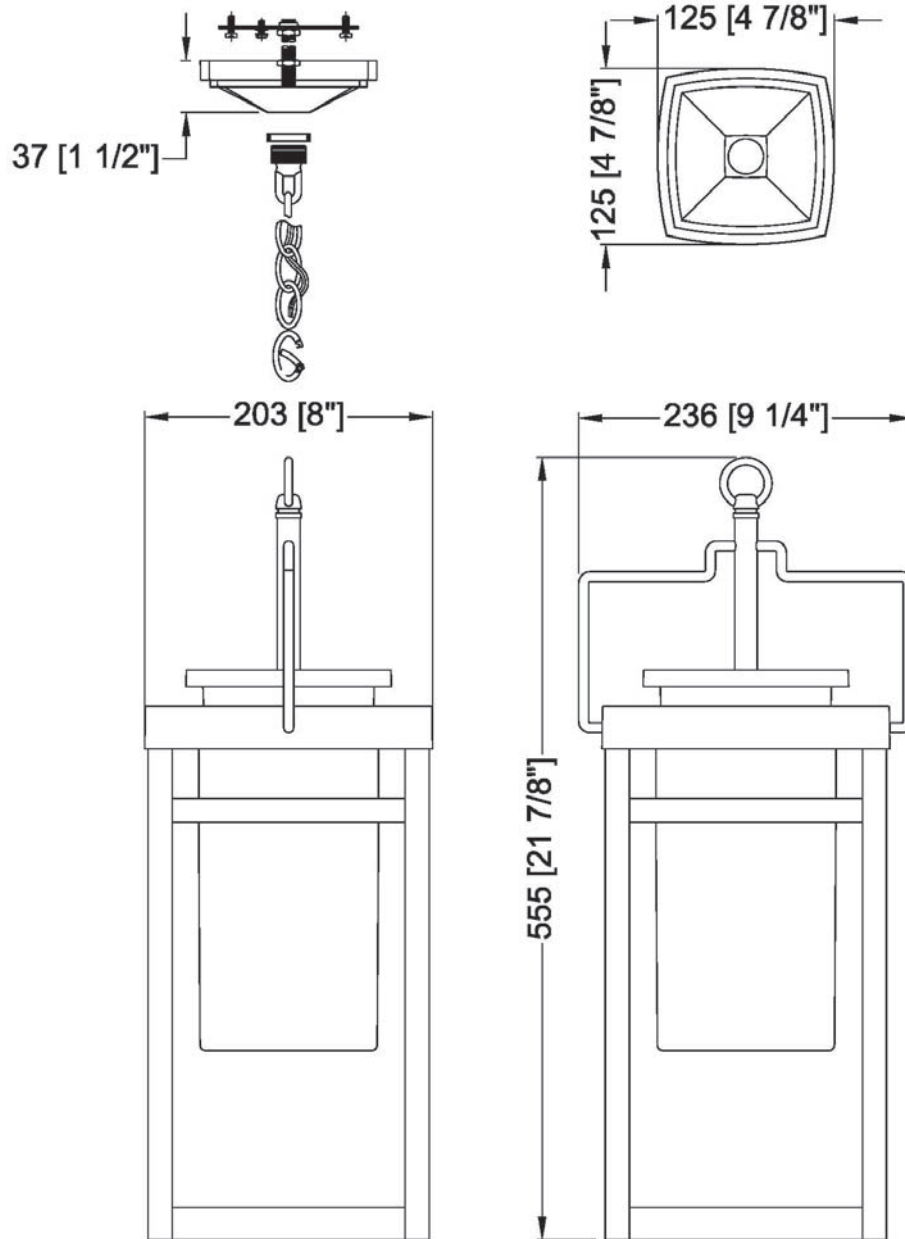
- Wattage:
PHEL5703 BLKLED: Uses one 11W LED max



See dimensional drawing on back.

© 2019 Ferguson Enterprises, Inc. 000002/19

FERGUSONSHOWROOMS.COM



PHEL5703BLKLED