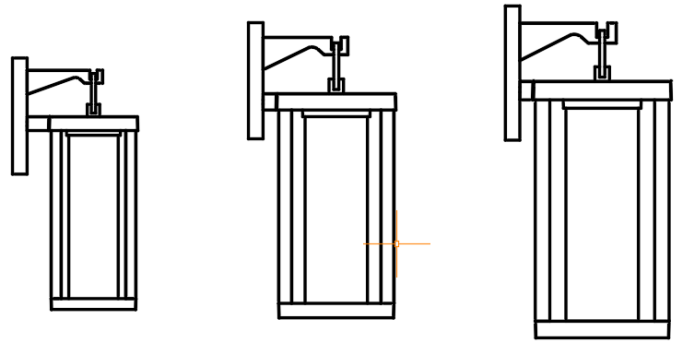


PARK HARBOR™



Topping Exterior Lantern

PHEL4100BLKLED

PHEL4101BLKLED

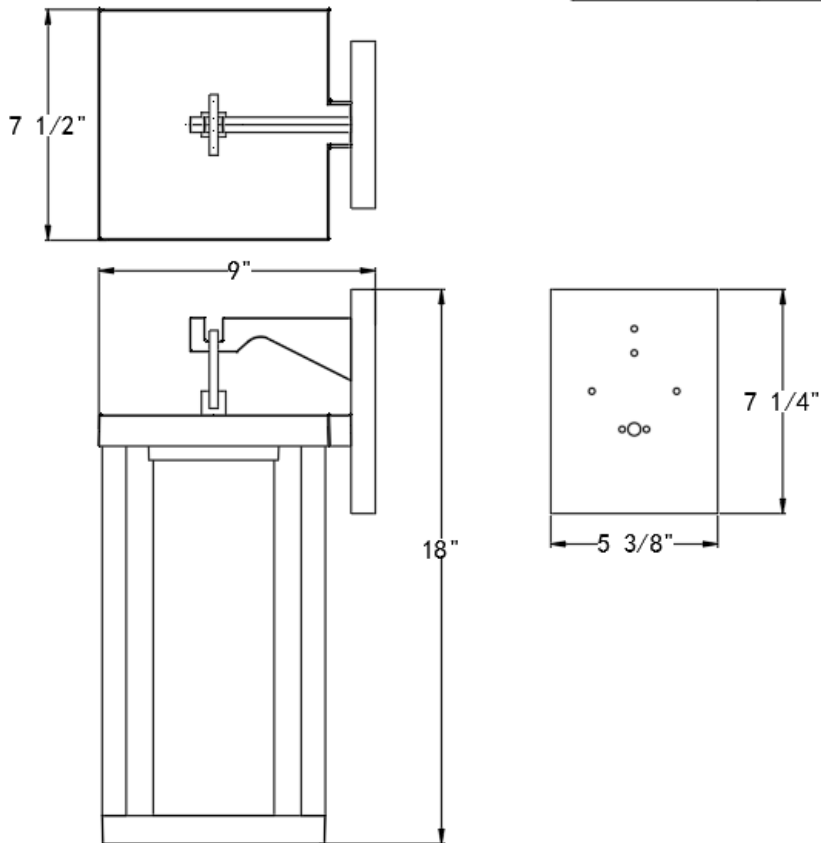
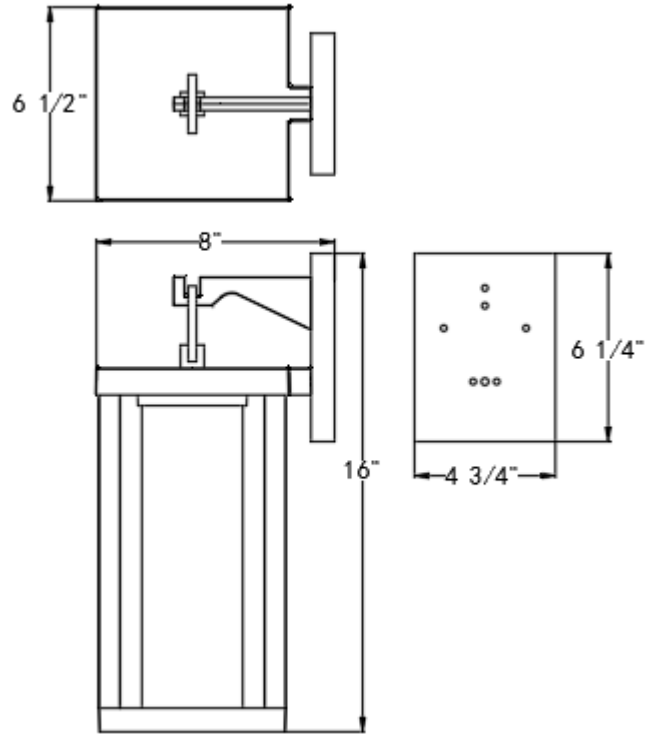
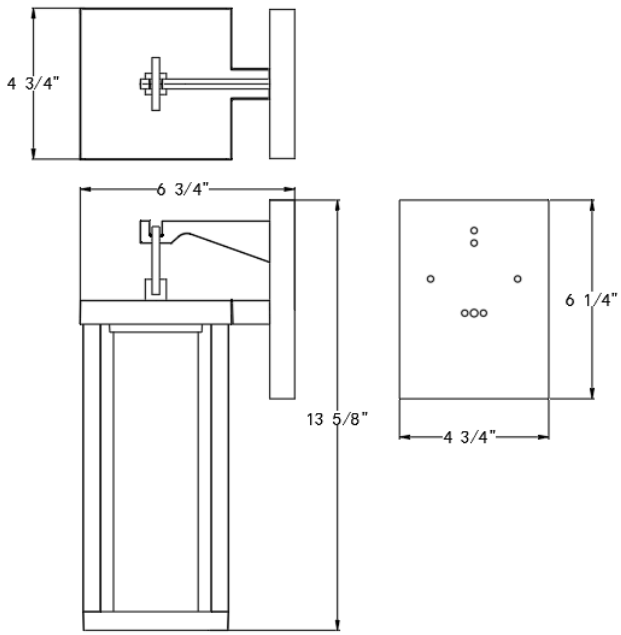
PHEL4102BLKLED

- Exterior Lantern in Black
- Clear Crackle Glass
- No special tools needed for assembly
- Wet Rated
- Wattage:
 - PHEL4100BLK: Uses one integrated 6W LED
 - PHEL4101BLK: Uses one integrated 11W LED
 - PHEL4102BLK: Uses one integrated 11W LED

See dimensional drawing on back.

© 2018 Ferguson Enterprises, Inc. 00000 Jan/2018

PARKHARBORLIGHTING.COM



PHEL4100BLKLED

PHEL4101BLKLED

PHEL4102BLKLED