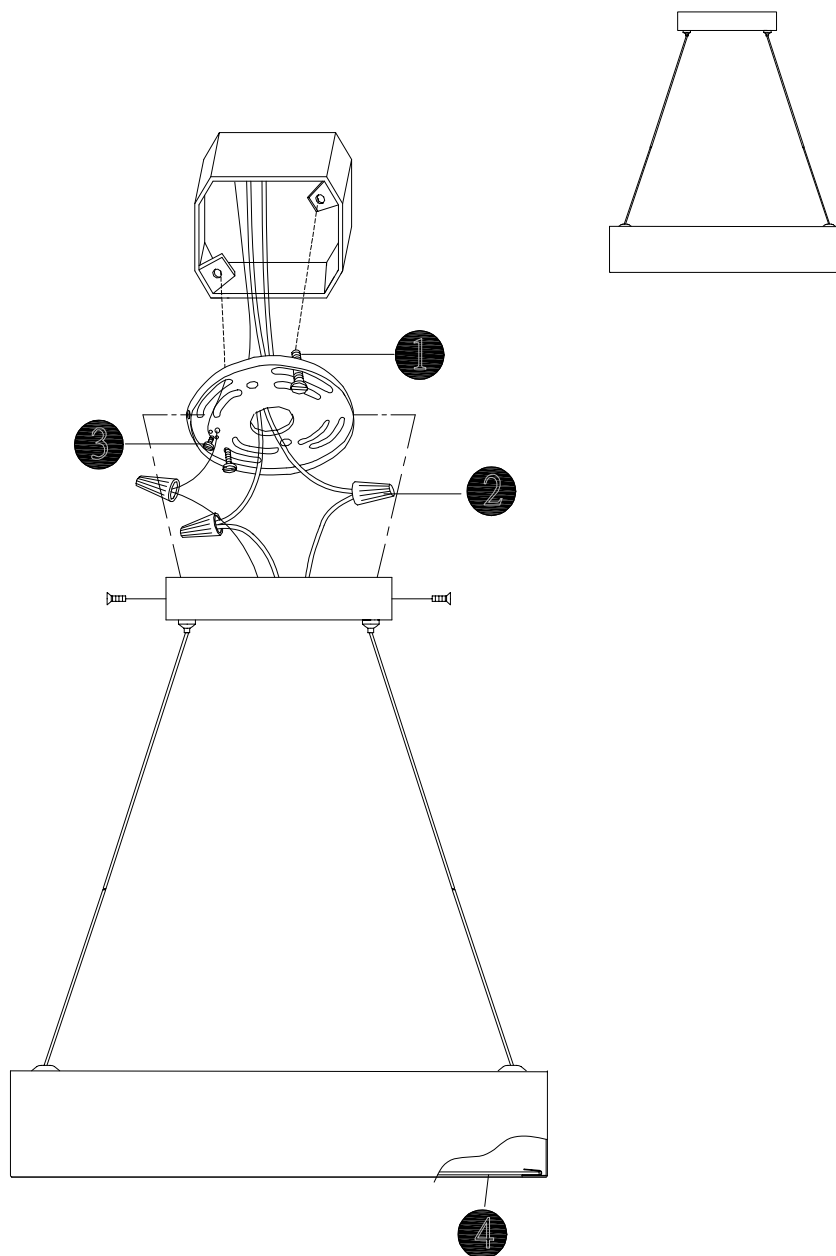


PARK HARBOR™

PHHL6400LEDMB



Parts Breakdown

No.	Part Name	Spanish	French	Part No.
1	Mounting Screw (2pcs)	Tornillos de montaje (2pcs)	Vis de montage (2pcs)	PHSP6400HDWRWTY
2	Wire Nut (3pcs)	Empalme plástico (3pcs)	Capuchon de connexion (3pcs)	
3	Ground Screw (1pc)	Tornillo a tierra (1pc)	Vis de borne de terre (1pc)	
4	Acrylic Panels(1pc)	Paneles de acrílico(1pc)	Panneaux en acrylique (1pc)	PHSP6400PNL2WTY