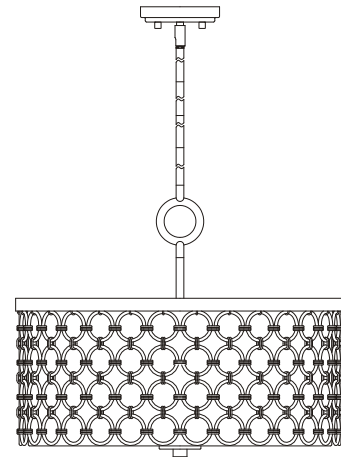
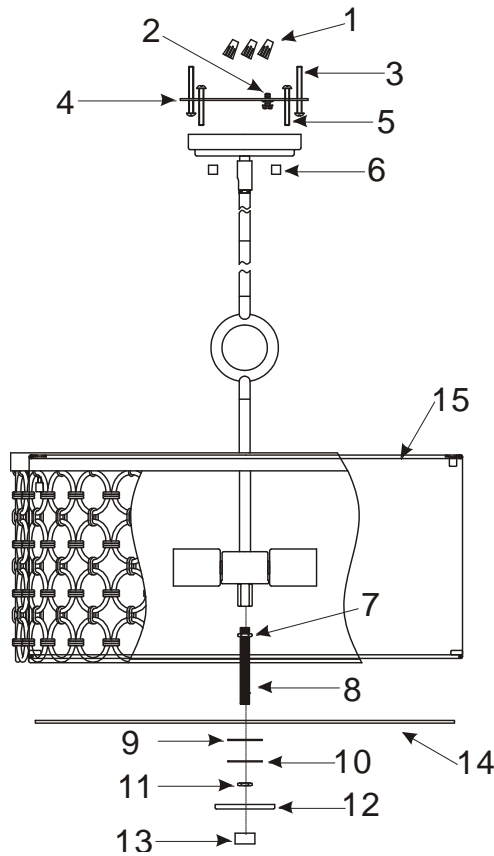


PARK HARBOR™

PHPL6623PABR



Parts Breakdown

No.	Part Name	Spanish	French	Part No.
1	Wire connectors (3pcs)	Conector de cable (3pcs)	Capuchon de connexion (3pcs)	PHSP6623HDWRWTY
2	Ground Screw (1pc)	Tornillo a tierra (1pc)	Vis de borne de terre (1pc)	
3	Screw (2pcs)	Tornillo (2pcs)	Vis (2pcs)	
4	Mounting bar (1pc)	Barra de montaje (1pc)	Barrette de fixation (1pc)	
5	Screw (1pc)	Tornillo (1pc)	Vis (1pc)	
6	Finial (2pcs)	Remate (2pcs)	Faîteau (2pcs)	
7	Hex nut (1pc)	Tuerca hexagonal (1pc)	Écrou hexagonal (1pc)	
8	Nipple (1pc)	Boquilla (1pc)	Embout (1pc)	
9	Metal washer (1pc)	Arandela metálica (1pc)	Rondelle métallique (1pc)	
10	Metal part (1pc)	Pieza metálica (1pc)	Pièce métallique (1pc)	
11	Hex nut (1pc)	Tuerca hexagonal (1pc)	Écrou hexagonal (1pc)	
12	Metal cap (1pc)	Tapa metálica (1pc)	Capuchon métallique (1pc)	
13	Finial (1pc)	Remate (1pc)	Faîteau (1pc)	
14	Glass (1pc)	Vidrio (1pc)	Verre (1pc)	PHSP6453DIFFWTY
15	Fabric shade (1pc)	Pantalla (1pc)	Abat-jour (1pc)	PHSP6623SHDWTY