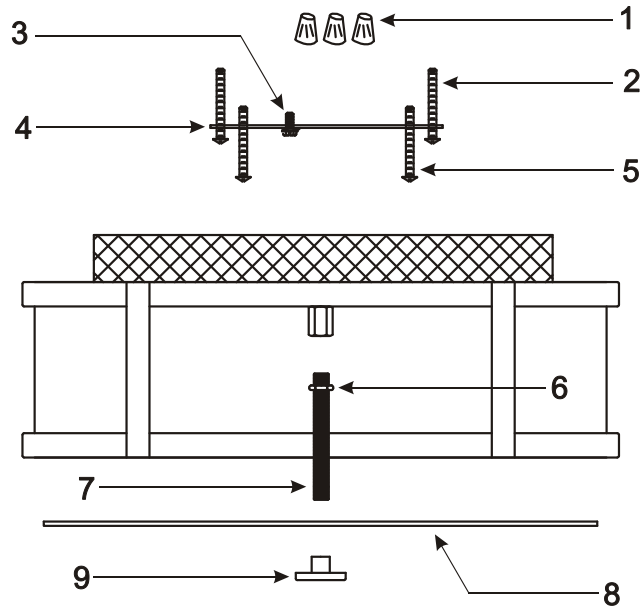
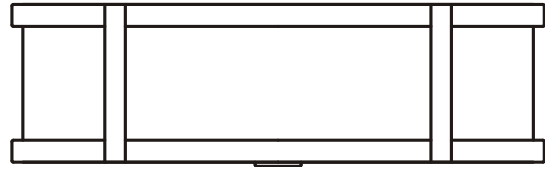


# PARK HARBOR™

PHFL4133AGBR/ANPE



Parts Breakdown

No.	Part Name	Spanish	French	Part No.
1	Wire connectors (3pcs)	Conector de cable (3pcs)	Capuchon de connexion (3pcs)	PHSP4133AGBHDWRWTY PHSP4133ANPHDWRWTY
2	Screw (2pcs)	Tornillo (2pcs)	Vis (2pcs)	
3	Ground Screw (1pc)	Tornillo a tierra (1pc)	Vis de borne de terre (1pc)	
4	Mounting bar (1pc)	Barra de montaje (1pc)	Barrette de fixation (1pc)	
5	Screw (2pc)	Tornillo (2pc)	Vis (2pc)	
6	Hex nut(1pc)	Tuerca hexagonal(1pc)	Écrou hexagonal(1pc)	
7	Nipple(1pc)	Boquilla(1pc)	Embout(1pc)	
9	Cap(1pc)	Tapa(1pc)	Bouchon(1pc)	
8	Glass (1pc)	Vidrio (1pc)	Verre (1pc)	PHSP4133DIFFWTY