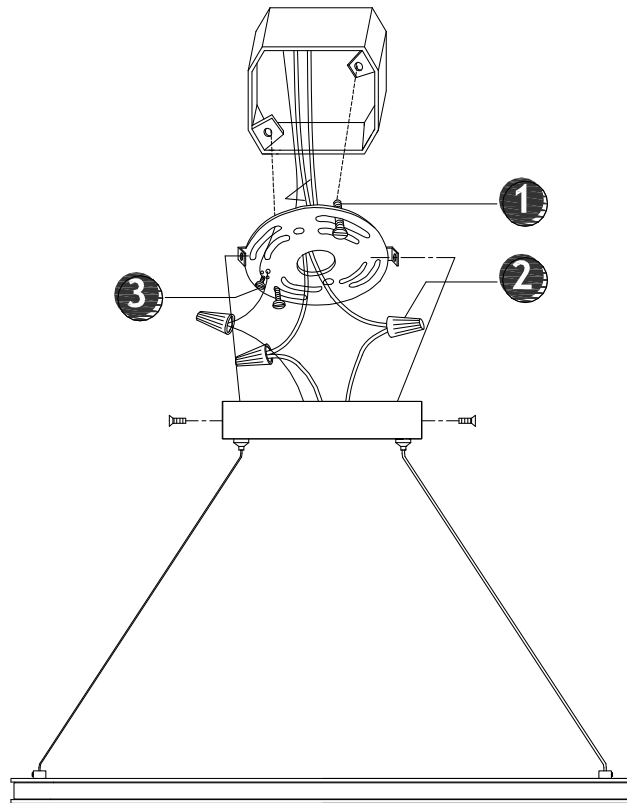
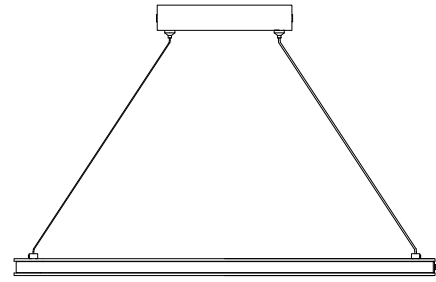


PARK HARBOR™

PHHL636LEDBN



Parts Breakdown

No.	Part Name	Spanish	French	Part No.
1	Mounting Screw (2pcs)	Tornillos de montaje (2pcs)	Vis de montage (2pcs)	PHSP636HDWRBNWTY
2	Wire Nut (3pcs)	Empalme plástico (3pcs)	Capuchon de connexion (3pcs)	
3	Ground Screw (1pc)	Tornillo a tierra (1pc)	Vis de borne de terre (1pc)	