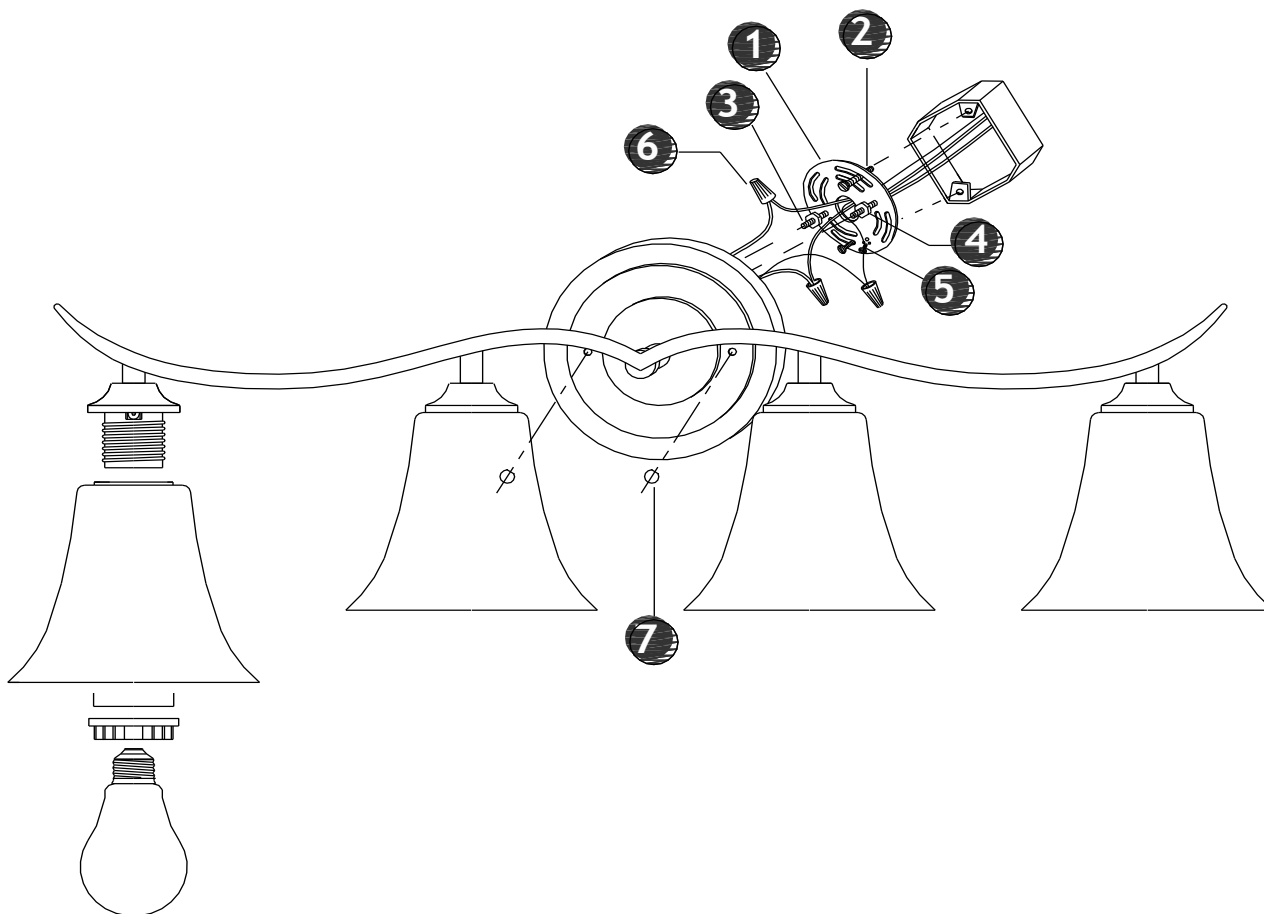
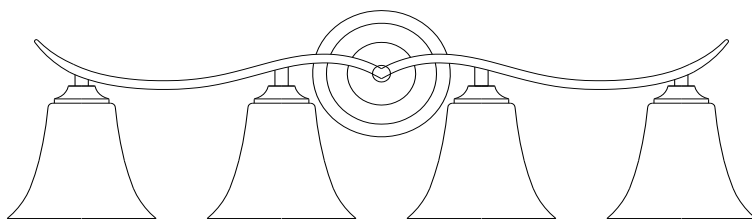


PARK HARBOR™

PHVL2254ORB



Columbus Parts Breakdown

No.	Part Name	Spanish	French	Part No.
1	Mounting Plate (1pc)	Placa de montaje (1pc)	Plaque de montage (1pc)	PHSP2254HDWRORBWTY
2	Mounting Screw (2pcs)	Tornillos de montaje (2pcs)	Vis de montage (2pcs)	
3	Mounting Screw (2pcs)	Tornillos de montaje (2pcs)	Vis de montage (2pcs)	
4	Hex nut (2pcs)	Tuerca hexagonal (2pcs)	Écrou hexagonal (2pcs)	
5	Ground Screw (1pc)	Tornillo a tierra (1pc)	Vis de borne de terre (1pc)	
6	Wire Nut (3pcs)	Empalme plástico (3pcs)	Capuchon de connexion (3pcs)	PHSPPLSSHD9WTY
7	Ball Nut (2pcs)	Tuerca esférica (2pcs)	Écrou sphérique (2pcs)	
8	Glass (1pc)	Vidrio (1pc)	Verre (1pc)	