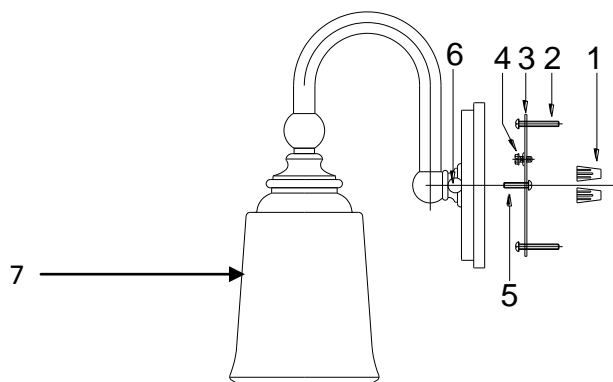
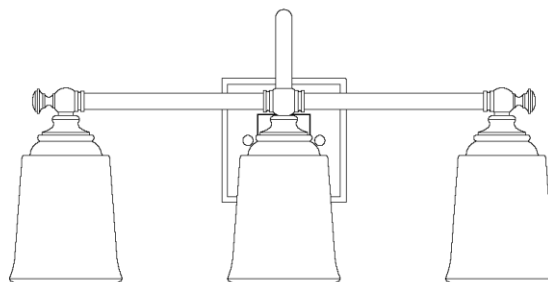
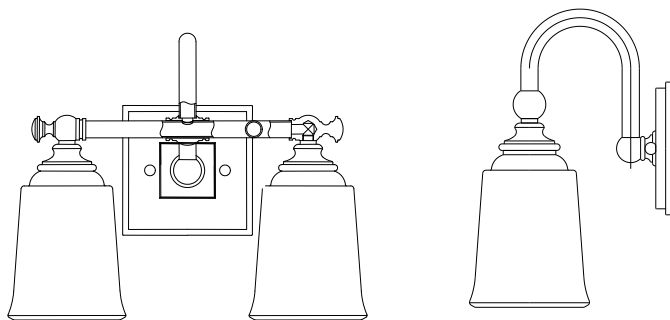


PARK HARBOR™

PHVL2121/2122/2123 BN/BRZ/PC



| No. | Part Name | Spanish | French | Part No. |
|-----|------------------------|--------------------------|------------------------------|---|
| 1 | Wire connectors (2pcs) | Conector de cable (2pcs) | Capuchon de connexion (2pcs) | PHSP212HDWRBNWTY PHSP212HDWRBRZWTY PHSP212HDWRPCWTY |
| 2 | Screw (2pcs) | Tornillo (2pcs) | Vis (2pcs) | |
| 3 | Mounting bar (1pc) | Barra de montaje (1pc) | Barrette de fixation (1pc) | |
| 4 | Ground screw (1pc) | Tornillo a tierra (1pc) | Vis de borne de terre (1pc) | |
| 5 | Screw (1pc) | Tornillo (1pc) | Vis (1pc) | |
| 6 | Finial (2pcs) | Remate (2pcs) | Faiteau (2pcs) | |
| 6 | Finial (1pc) | Remate (1pc) | Faiteau (1pc) | PHSPRNUT1PN1WTY PHSPRNUT1BN1WTY PHSPRNUT1BRZ1WTY |
| 7 | Glass (1pc) | Vidrio (1pc) | Verre (1pc) | PHSP212GLSWTY |