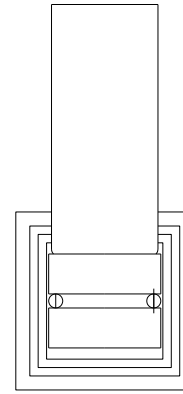
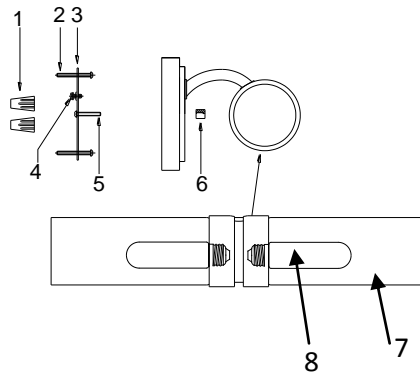
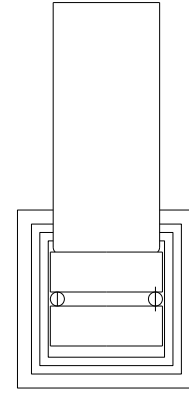
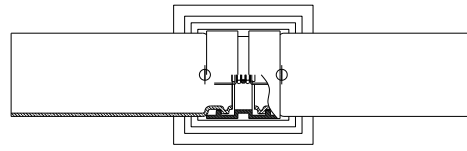


# PARK HARBOR™

PHVL2101/2102 BN/PN



Como Parts Breakdown

| No. | Part Name              | Spanish                  | French                       | Part No.                             |
|-----|------------------------|--------------------------|------------------------------|--------------------------------------|
| 1   | Wire connectors (2pcs) | Conector de cable (2pcs) | Capuchon de connexion (2pcs) | PHSP210HDWRBNWTY<br>PHSP210HDWRPNWTY |
| 2   | Screw (2pcs)           | Tornillo (2pcs)          | Vis (2pcs)                   |                                      |
| 3   | Mounting bar (1pc)     | Barra de montaje (1pc)   | Barrette de fixation (1pc)   |                                      |
| 4   | Ground screw (1pc)     | Tornillo a tierra (1pc)  | Vis de borne de terre (1pc)  |                                      |
| 5   | Screw (1pc)            | Tornillo (1pc)           | Vis (1pc)                    |                                      |
| 6   | Finial (2pcs)          | Remate (2pcs)            | Faiteau (2pcs)               |                                      |
| 6   | Finial (1pc)           | Remate (1pc)             | Faiteau (1pc)                | PHSP210FINBNWTY<br>PHSP210FINPNWTY   |
| 7   | Glass (1pc)            | Vidrio (1pc)             | Verre (1pc)                  | PHSP210GLSWTY                        |
| 8   | T10 bulb (1pc)         | T10 Bombilla (1pc)       | T10 Ampoule (1pc)            | PHSPRGBT10WTY                        |