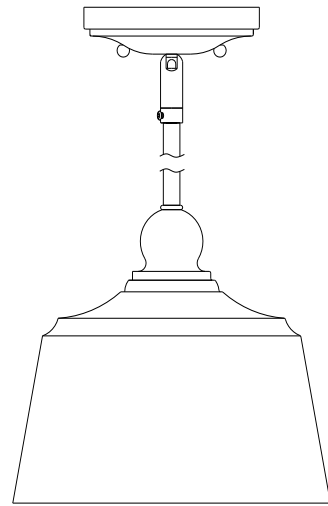


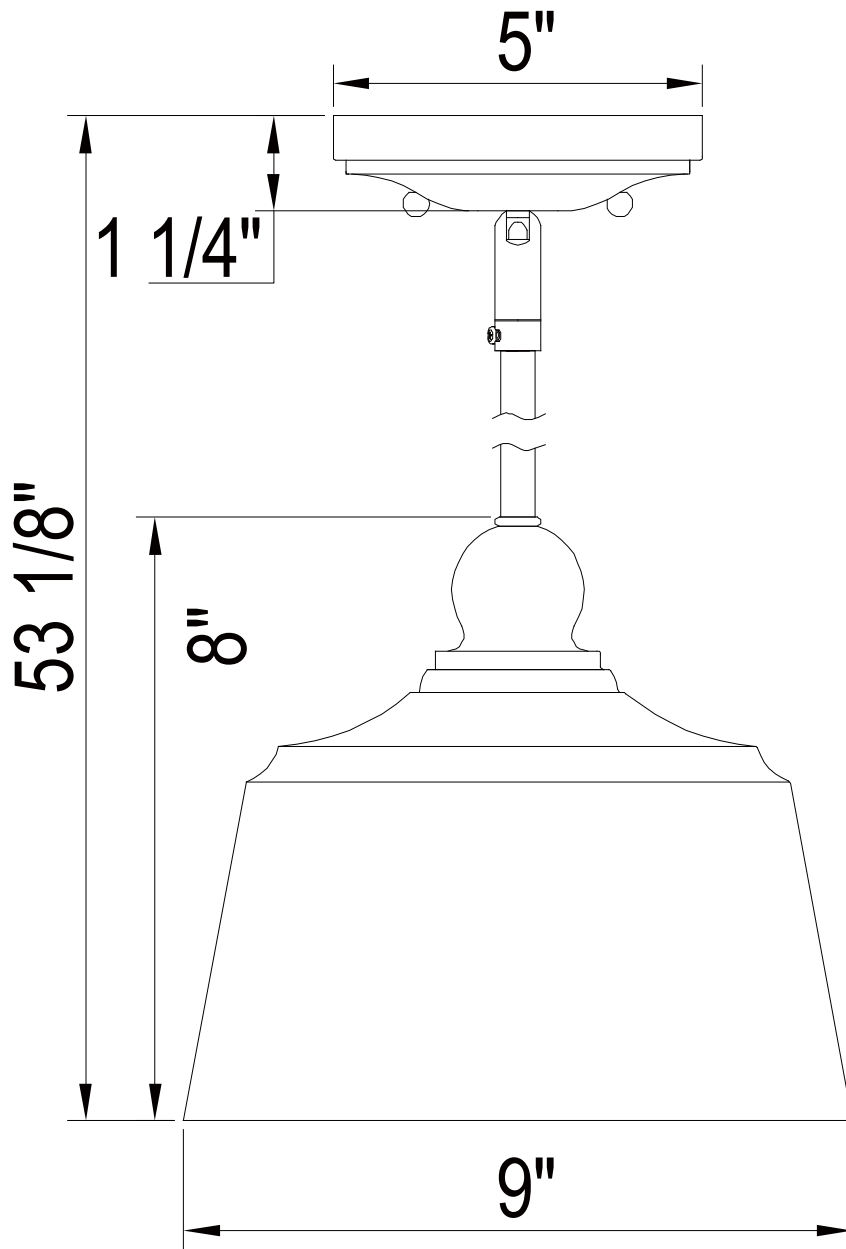
PARK HARBOR™

Eastland Pendant

PHPL5551BN/ORB



- 1- Light Pendant in Brushed Nickel or Oil Rubbed Bronze
- No special tools needed for assembly
- Wattage: Uses one 100W medium base lamp max



PHPL5551BN/ORB